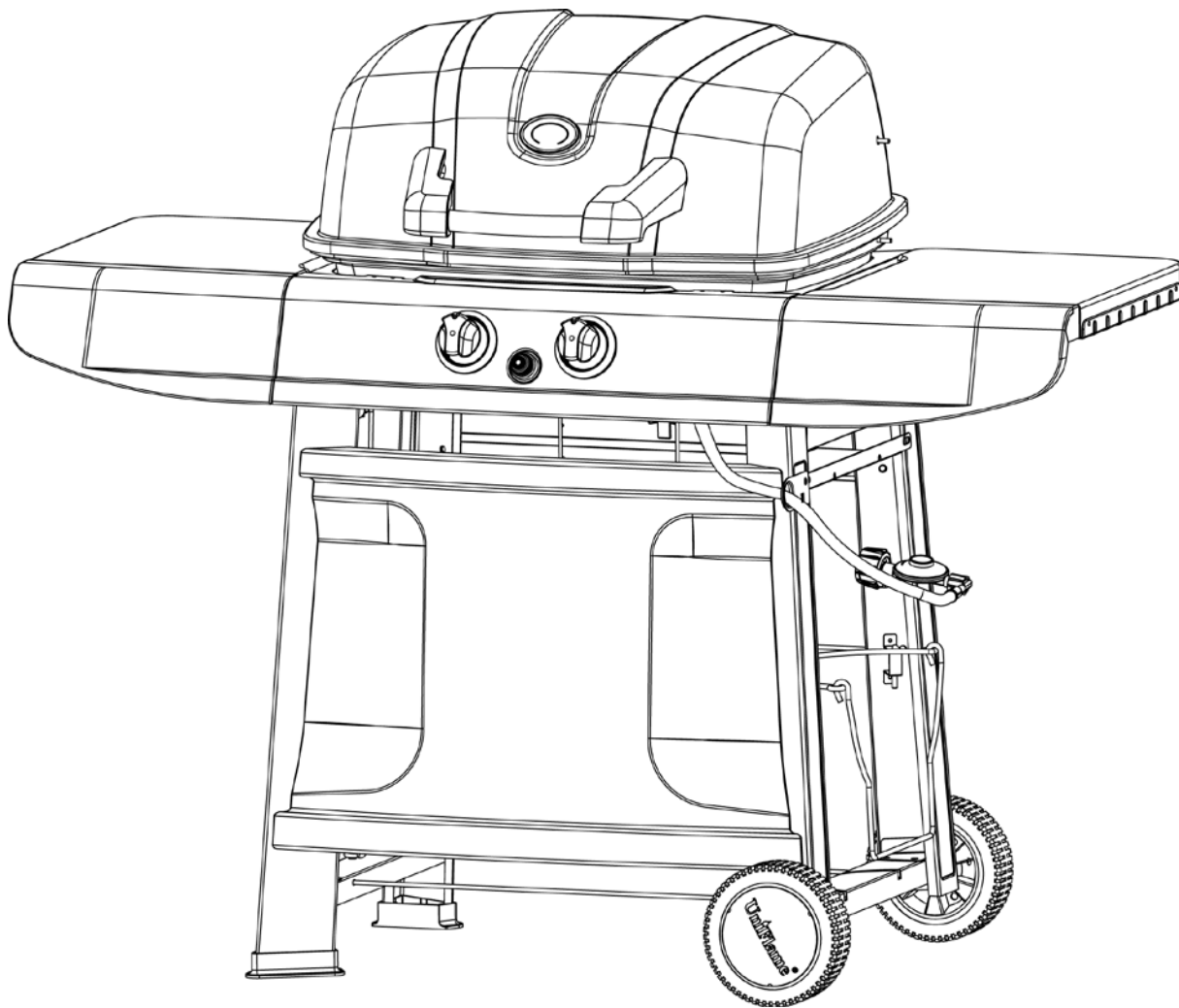


Outdoor LP Gas Barbecue Grill

Model No. GBC820WC-C



WARNING
FOR YOUR SAFETY:
For Outdoor Use Only
(outside any enclosure)

WARNING
FOR YOUR SAFETY:

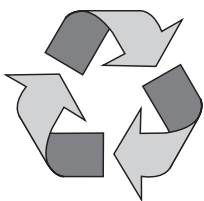
1. Improper installation, adjustment, alteration, service or maintenance can cause injury or property damage.
2. Read the installation, operation, and maintenance instructions thoroughly before installing or servicing this equipment.
3. Failure to follow these instructions could result in fire or explosion, which could cause property damage, personal injury, or death.

Save these instructions for future reference. If you are assembling this unit for someone else, give this manual to him or her to read and save for future reference.

Table of Contents

Important Safeguards	Page 2
Exploded View & Hardware	3
Assembly Instructions	4
Installing LP Gas Tank	9
Insert LP Gas Tank	9
Secure LP Gas Tank	9
Connect LP Gas Tank	9
Operating Instructions	9
Checking for Leaks	9
Operating Main Burners	9
Cleaning and Care	10
Product Registration	11
Limited Warranty	11
Troubleshooting	12

The use and installation of this product must conform to local codes. In absence of local codes, use the *National Fuel Gas Code, ANSI Z223.1/NFPA 54, CAN/CGA-B149.1, Natural Gas and Propane Installation Code.*



Made from 70% Bagasse
(Environmentally Friendly Sugar
Cane Pulp By-product)



Manufactured in China for:
Blue Rhino Global Sourcing, Inc
Winston-Salem, NC USA
1.800.762.1142, www.bluerhino.com


DANGER

If you smell gas -

1. Shut off gas to appliance.
2. Extinguish any open flame.
3. Open lid.
4. If odor continues, keep away from the appliance and immediately call your gas supplier or your fire department.


**WARNING
FOR YOUR SAFETY**

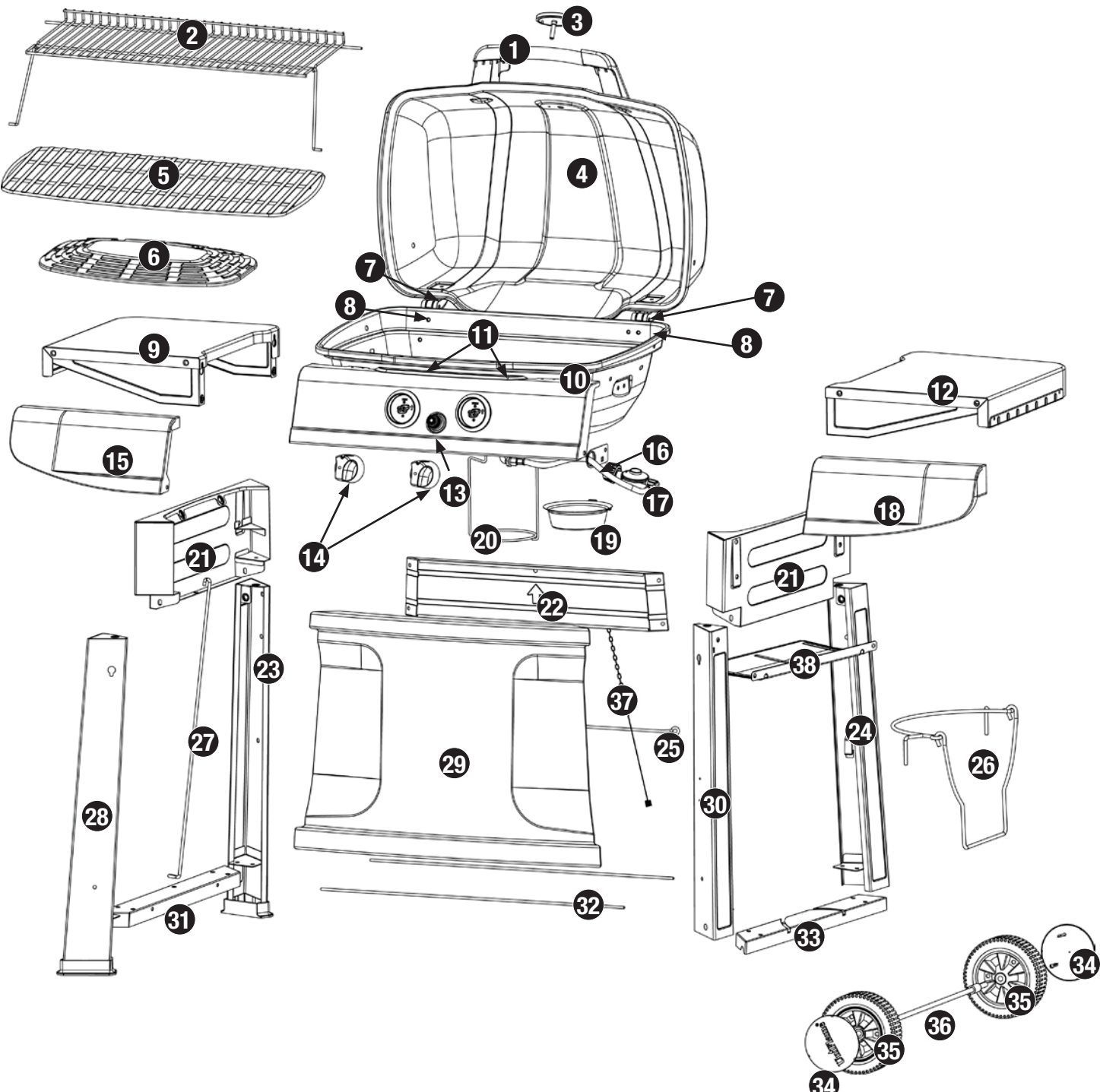
1. Do not store or use gasoline or other flammable liquids or vapors in the vicinity of this or any other appliance.
2. An LP cylinder not connected for use shall not be stored in the vicinity of this or any other appliance.

▲ DANGER: Failure to follow the dangers, warning and cautions in this manual may result in serious bodily injury or death, or in a fire or an explosion causing damage to property.

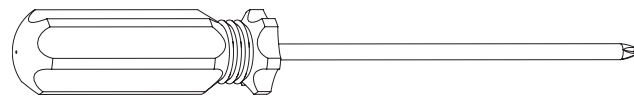
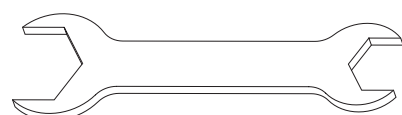
▲ WARNING:

- ▲ This grill is for outdoor use only, and shall not be used in a building, garage, or any other enclosed area.
- ▲ Do NOT operate, light or use this appliance within 8 feet of walls, structures or buildings.
- ▲ This grill is NOT for commercial use.
- ▲ This grill is for use with liquid propane (LP) gas only. The conversion to or attempted use of natural gas in this LP gas grill is dangerous and will void your warranty.
- ▲ LP gas Characteristics:
 - a. LP gas is flammable and hazardous if handled improperly. Become aware of the characteristics before using any LP gas product.
 - b. LP gas is explosive under pressure, heavier than air, and settles and pools in low areas.
 - c. LP gas in its natural state has no odor. For your safety, an odorant is added that smells like rotten cabbage.
 - d. Contact with LP gas can cause freeze burns to skin.
- ▲ LP gas tank needed to operate. Only tanks marked "propane" may be used.
- ▲ The LP gas supply tank must be constructed and marked in accordance with the *Specifications for LP gas Cylinders of the U.S. Department of Transportation (DOT) or the National Standard of Canada, CAN/CSA-B339, Cylinders, Spheres and Tubes for the Transportation of Dangerous Goods; and Commission.*
- ▲ LP gas tank must be arranged for vapor withdrawal.
- ▲ The LP gas tank must have a listed overfilling prevention device (OPD).
- ▲ Only use 20-pound cylinders equipped with a cylinder connection device compatible with the connection for outdoor cooking appliances.
- ▲ The LP gas tank must have a tank collar to protect the tank valve.
- ▲ Never use an LP gas tank with a damaged body, valve, collar, or footing.
- ▲ Dented or rusted LP gas tanks may be hazardous and should be checked by your LP gas supplier prior to use.
- ▲ The LP gas tank should not be dropped or handled roughly.
- ▲ Tanks must be stored outdoors out of the reach of children and must not be stored in a building, garage, or any other enclosed area. Your tank must never be stored where temperatures can reach over 125°F.
- ▲ Never keep a filled LP gas tank in a hot car or car trunk. Heat will cause the gas pressure to increase, which may open the relief valve and allow gas to escape.
- ▲ Place dust cap on cylinder valve outlet whenever the cylinder is not in use. Only install the type of dust cap on the cylinder valve outlet that is provided with the cylinder valve. Other types of caps or plugs may result in leakage of propane.
- ▲ Do not store a spare LP gas tank under or near this appliance.
- ▲ Never fill the tank beyond 80 percent full.
- ▲ A fire causing, serious injury or damage to property may occur if the above is not followed exactly.
- ▲ Never attempt to attach this grill to the self-contained LP gas system of a camper trailer, motor home, or house.
- ▲ The use of alcohol, or prescription or non-prescription drugs may impair the consumer's ability to properly assemble or safely operate the appliance.
- ▲ Never use charcoal, lighter fluid, lava rocks, gasoline, kerosene, or alcohol with this product.
- ▲ Your grill has been checked at all factory connections for leaks. Recheck all connections as described in the "Operating Instructions" section of the manual, as movement in shipping can loosen connections.
- ▲ Check for leaks even if your unit was assembled for you by someone else.
- ▲ Do not operate if gas leak is present. Gas leaks may cause a fire or explosion.
- ▲ You must follow all leak-checking procedures before operating. To prevent fire or explosion hazard when testing for a leak:
 - a. Always perform leak test before lighting the grill and each time the tank is connected for use.
 - b. No smoking. Do not use or permit sources of ignition in the area while conducting a leak test.
 - c. Conduct the leak test outdoors in a well-ventilated area.
 - d. Do not use matches, lighters, or a flame to check for leaks.
 - e. Do not use grill until any and all leaks are corrected. If you are unable to stop a leak, disconnect the LP gas supply. Call a gas appliance serviceman or your local LP gas supplier.
- ▲ Do not store or use gasoline or other flammable liquids or vapors within 25 feet (7.62 m) of this appliance.
- ▲ Do not use in an explosive atmosphere. Keep grill area clear and free from combustible materials, gasoline and other flammable vapors and liquids.
- ▲ Minimum clearance from sides and back of unit to combustible construction, 21 inches from side and 21 inches from back. Do not use this appliance under overhead combustible surfaces.
- ▲ It is essential to keep the grill's valve compartment, burners, and circulating air passages clean. Inspect grill before each use.
- ▲ Do not alter grill in any manner.
- ▲ Do not use the grill unless it is COMPLETELY assembled and all parts are securely fastened and tightened.
- ▲ This grill should be thoroughly cleaned and inspected on a regular basis. Clean and inspect the hose before each use of the appliance. If there is evidence of abrasion, wear, cuts, or leaks, the hose must be replaced prior to the appliance being put into operation.
- ▲ Use only the regulator and hose assembly provided. The replacement regulator and hose assembly shall be that specified by the manufacturer.
- ▲ Use only Blue Rhino Global Sourcing, Inc. factory authorized parts. The use of any part that is not factory authorized can be dangerous. This will also void your warranty.
- ▲ Do not use this appliance without reading "Operating Instructions" in this manual.
- ▲ Do not touch metal parts of grill until it has completely cooled (about 45 min.) to avoid burns, unless you are wearing protective gear (pot holders, gloves, BBQ mittens, etc.).
- ▲ When cooking, fire extinguishing materials shall be readily accessible. In the event of an oil grease fire, do not attempt to extinguish with water. Use type BC dry chemical fire extinguisher or smother with dirt, sand or baking soda.
- ▲ Do not install or use in or on boats or recreational vehicles.
- ▲ Do not use grill in high winds.
- ▲ Never lean over the grill when lighting.
- ▲ Do not leave a lit grill unattended, especially keep children and pets away from grill at all times.
- ▲ Do not attempt to move grill when in use. Allow the grill to cool before moving or storing.
- ▲ Storage of grill indoors is permissible only if the tank is disconnected, removed from the grill and properly stored outdoors.
- ▲ Always open grill lid carefully and slowly as heat and steam trapped within grill can severely burn you.
- ▲ Do not attempt to disconnect the gas regulator from the tank or any gas fitting while the grill is in use.
- ▲ Always place your grill on a hard non-combustible, level surface. An asphalt or blacktop surface may not be acceptable for this purpose.
- ▲ Move gas hoses as far away as possible from hot surfaces and dripping hot grease.
- ▲ Keep all electrical cords away from a hot grill.
- ▲ Do not use grill for indoor cooking or heating. TOXIC fumes can accumulate and cause asphyxiation.
- ▲ After a period of storage and/or nonuse, check for leaks, burner obstructions and inspect for any abrasion, wear, cuts to the hose.
- ▲ Failure to open lid while igniting the grill's burners, or not waiting 5 minutes to allow the gas to clear if the grill does not light, may result in an explosive flame-up.
- ▲ If grill is not in use, the gas must be turned off at the supply tank.
- ▲ Never operate grill without heat plates installed.
- ▲ Always use a meat thermometer to ensure food is cooked to a safe temperature.
- ▲ Please use protective gloves when assembling this product.
- ▲ Do not force parts together as this can result in personal injury or damage to the product.
- ▲ Never cover entire cooking area with aluminum foil.
- ▲ Deaths, serious injury or damage to property may occur if the above is not followed exactly.

Contact 1.800.762.1142 for assistance. Do not return to place of purchase.

Parts List		Exploded View	
1	Lid Handle	55-07-328	
2	Warming Rack	55-07-361	
3	Temperature Gauge	55-07-358	
4	Lid	55-08-103	
5	Cooking Grid	55-07-310	
6	Heat Plate	55-07-319	
7	Top Hinge (2)	55-07-360	
8	Bottom Hinge (2)	55-07-306	
9	Left Side Shelf	55-07-325	
10	Grill Body Assembly	55-07-317	
11	Burner (2)	55-08-101	
12	Right Side Shelf	55-07-496	
13	Push Button Ignition	55-07-322	
14	Control Knob (2)	55-07-308	
15	Left Side Shelf Front Panel	55-07-326	
16	QCC Clip	55-13-827	
17	Regulator/Hose Assembly	55-07-344	
18	Right Side Shelf Front Panel	55-07-346	
19	Grease Cup	55-07-315	
20	Grease Cup Support	55-07-316	
21	Top Frame Brace (2)	55-07-359	
22	Back Panel	55-07-302	
23	Rear Left Leg	55-07342	
24	Rear Right Leg	55-07-343	
25	Rear Cart Wire	55-07-341	
26	LP Gas Tank Retainer Wire	55-07-333	
27	Left Cart Wire	55-07-324	
28	Front Left Leg	55-07-312	
29	Front Panel	55-07-314	
30	Front Right Leg	55-07-313	
31	Bottom Left Frame Support	55-07-304	
32	Bottom Cart Wire (2)	55-07-303	
33	Bottom Right Frame Support	55-07-305	
34	Hub Cap (2)	55-07-320	
35	Wheel (2)	55-07-363	
36	Axle	55-07-301	
37	Lighting Rod	55-07-331	
38	LP Gas Tank Shield	55-07-334	

Hardware			
A	Screw	M6x16 Zinc Plated Phillips Truss Head	27 pcs
B	Bolt	M6x16 Zinc Plated Phillips Hex Head	20 pcs
C	Nut	M10 Zinc Plated	2 pcs
D	Wing Nut	M6 Zinc Plated	2 pcs
E	Washer	ø6.4 Zinc Plated	4 pcs
F	Lock Washer	ø6.4 Zinc Plated	4 pcs
G	Rubber Spacer	ø10.5 x ø17.5 x 6	2 pcs
H	AA Battery		1 pc

Tools Required for Assembly (Included)	
#2 Phillips Head Screwdriver	
M6 - M10 Wrench	
	2 pcs

Assembly Instructions

1 DO NOT RETURN PRODUCT TO STORE.

For assistance call **1.800.762.1142** toll free. Please have your owner's manual and serial number available for reference.

Note: The serial number can be found on the back of the cart assembly.

For Easiest Assembly:

- To avoid losing any small components or hardware, assemble your product on a hard level surface that does not have cracks or openings.
- Clear an area large enough to layout all components and hardware.
- When applicable, tighten all hardware connections by hand first. Once the step is completed go back and fully tighten all hardware.
- Follow all steps in order to properly assemble your product.

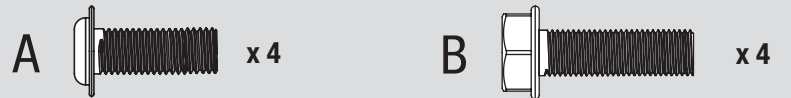
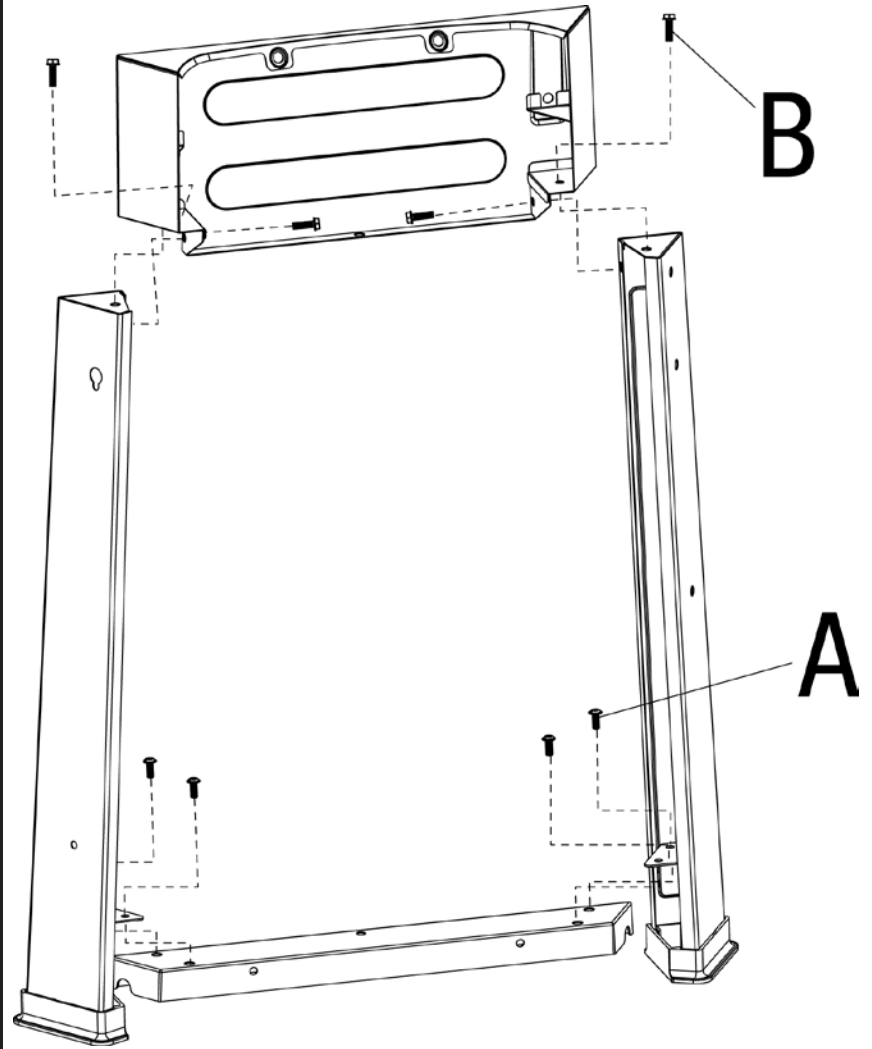
To complete assembly you will need:

- (1) Leak Detection Solution (Instructions on how to make solution are included in the "Operating Instructions" section of this manual)
- (1) Precision Filled LP Gas Grill Tank with Acme Type 1 external threaded valve connection (4-5 gallon size)

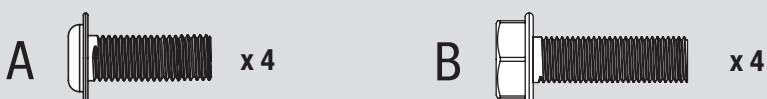
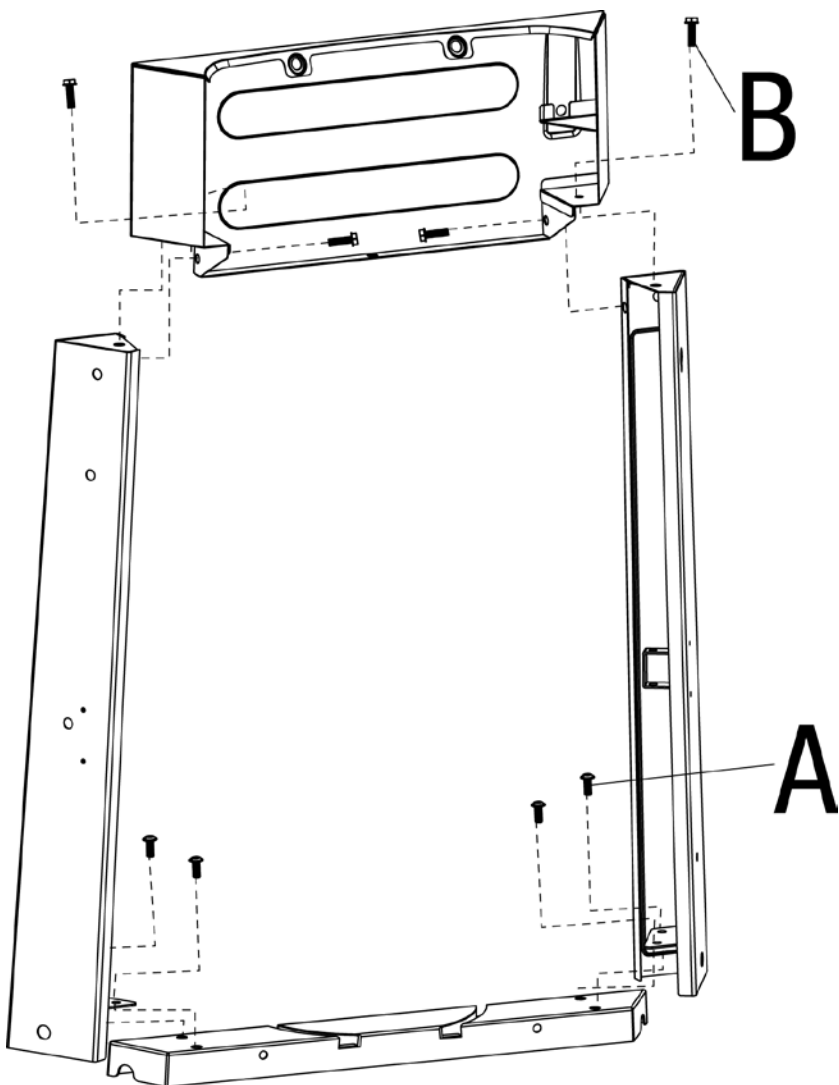
Note: You must follow all steps to properly assemble the grill.

Typical assembly: approximately 1 (one) hour.

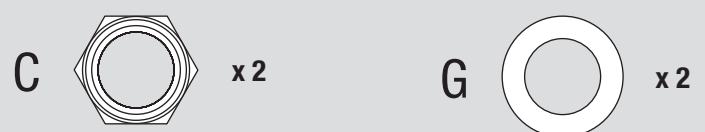
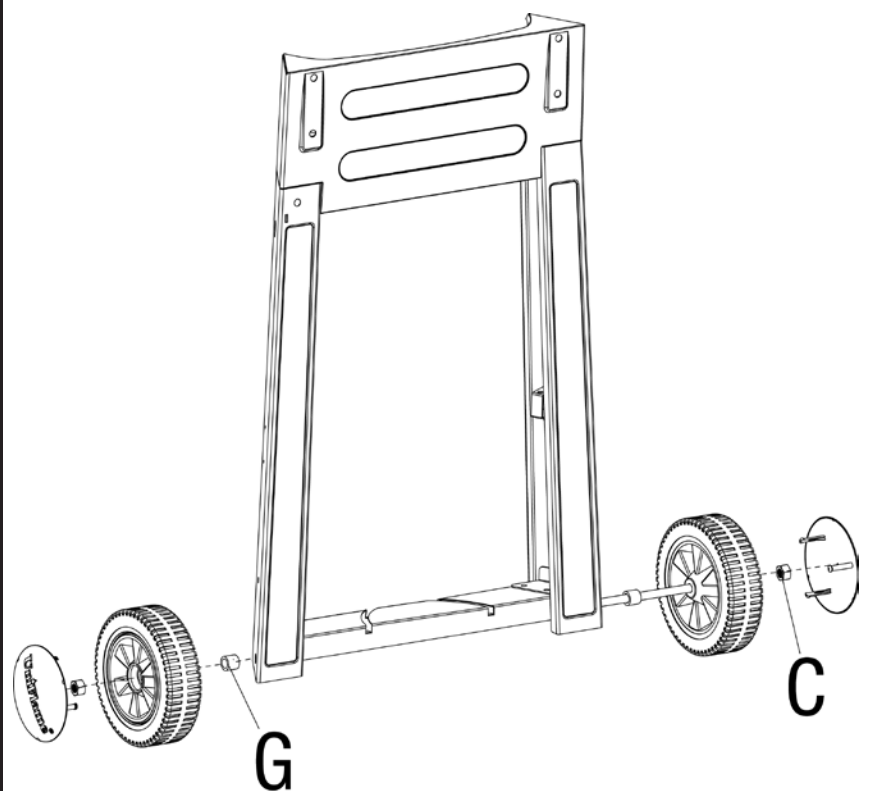
2 Assemble Left Cart Frame



3 Assemble Right Cart Frame



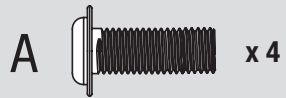
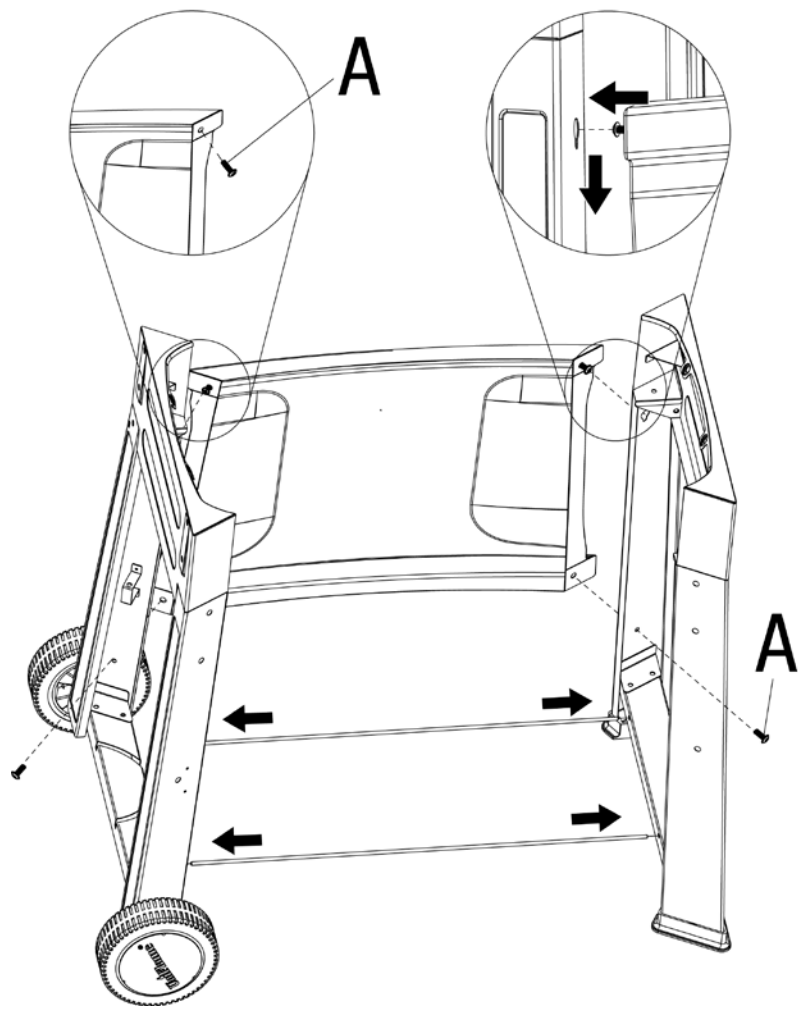
4 Attach Wheels, Hub Caps and Axle



Contact 1.800.762.1142 for assistance. Do not return to place of purchase.

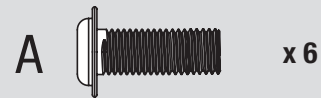
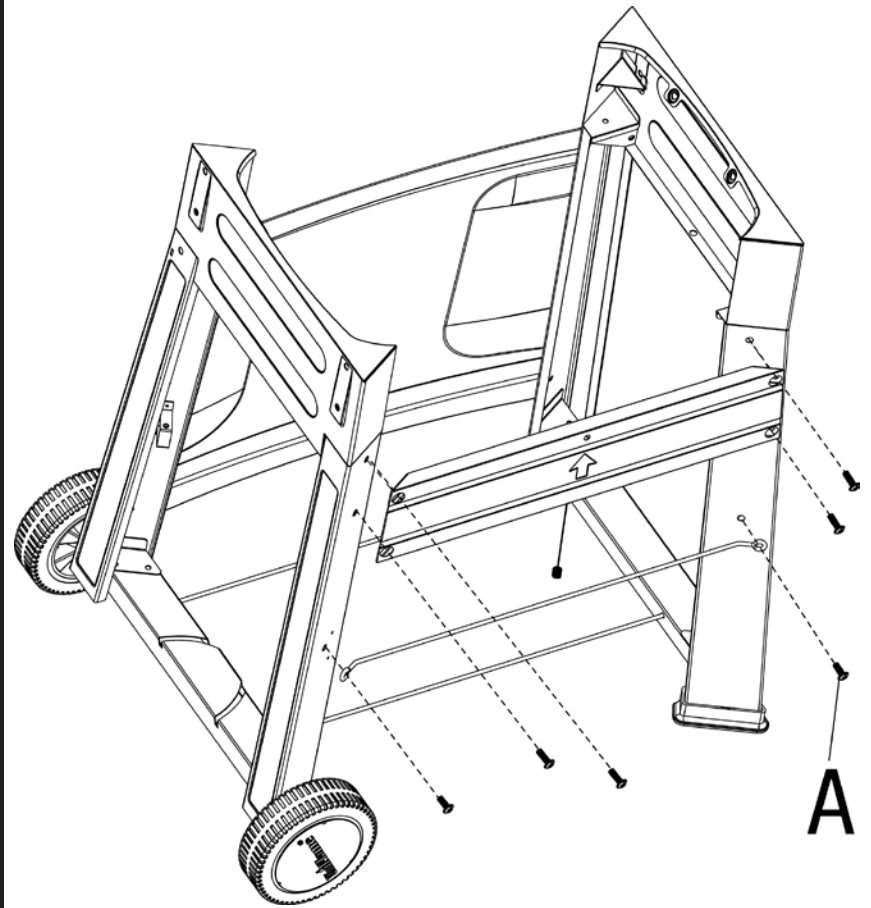
5

Attach Front Panel and Bottom Cart Wires



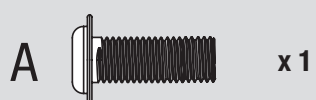
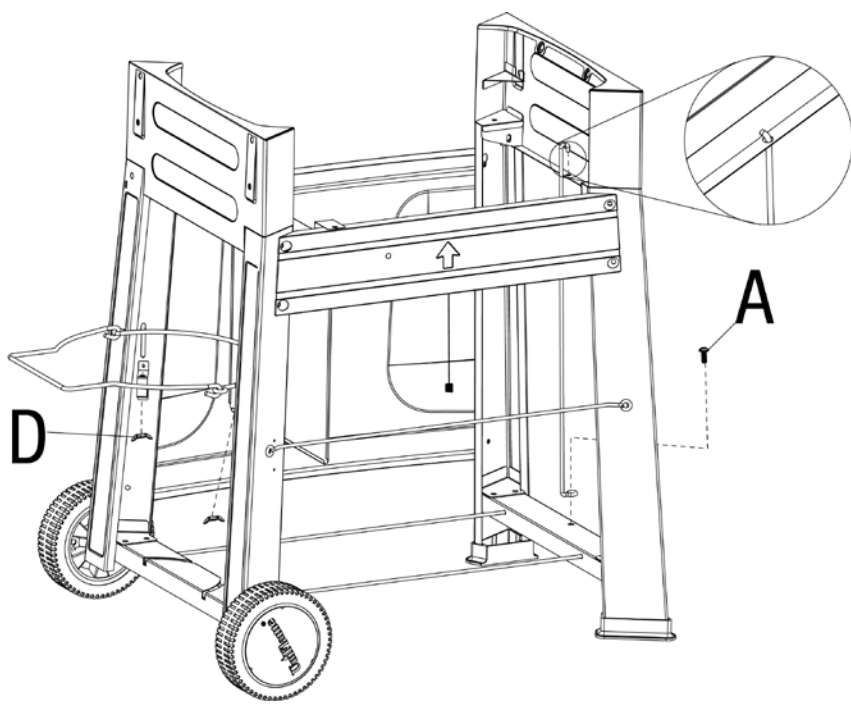
6

Attach Back Panel and Rear Cart Wire



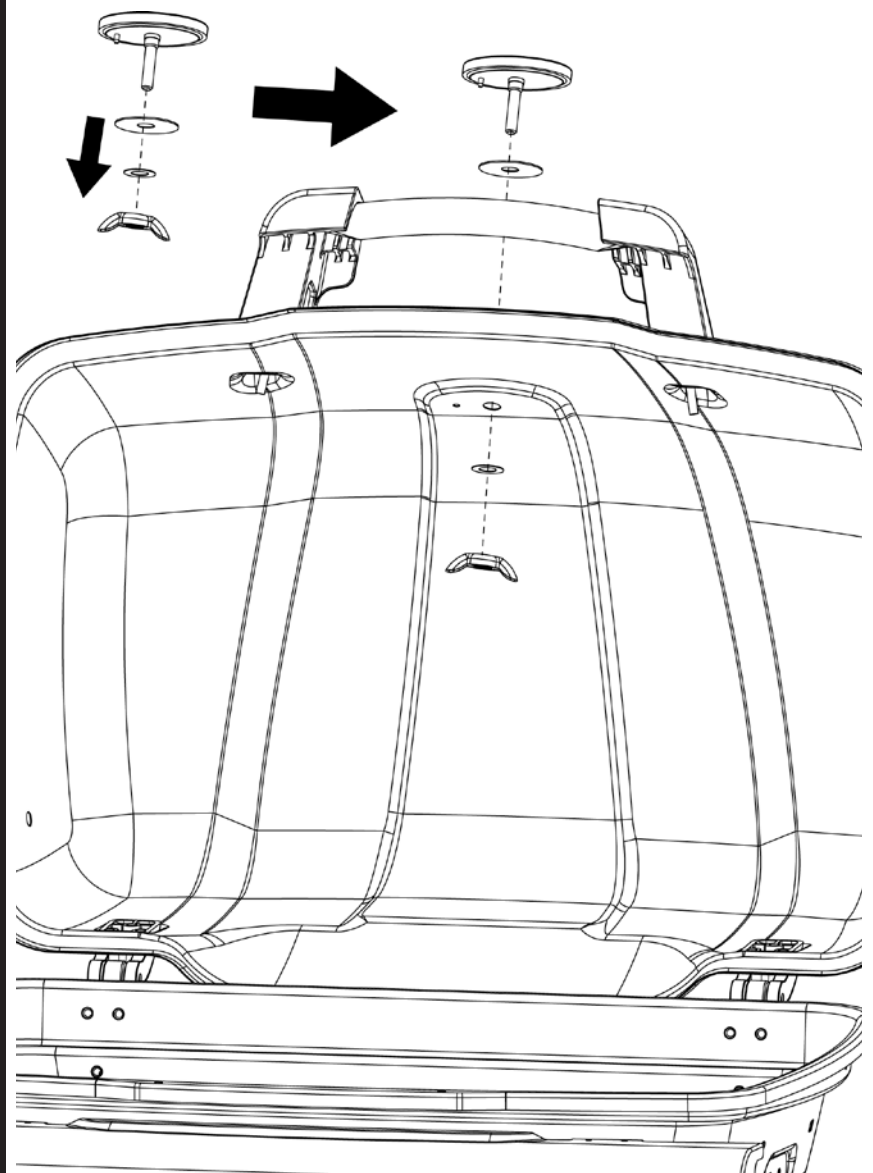
7

Attach Left Cart Wire and Attach LP Gas Tank Retainer Wire



8

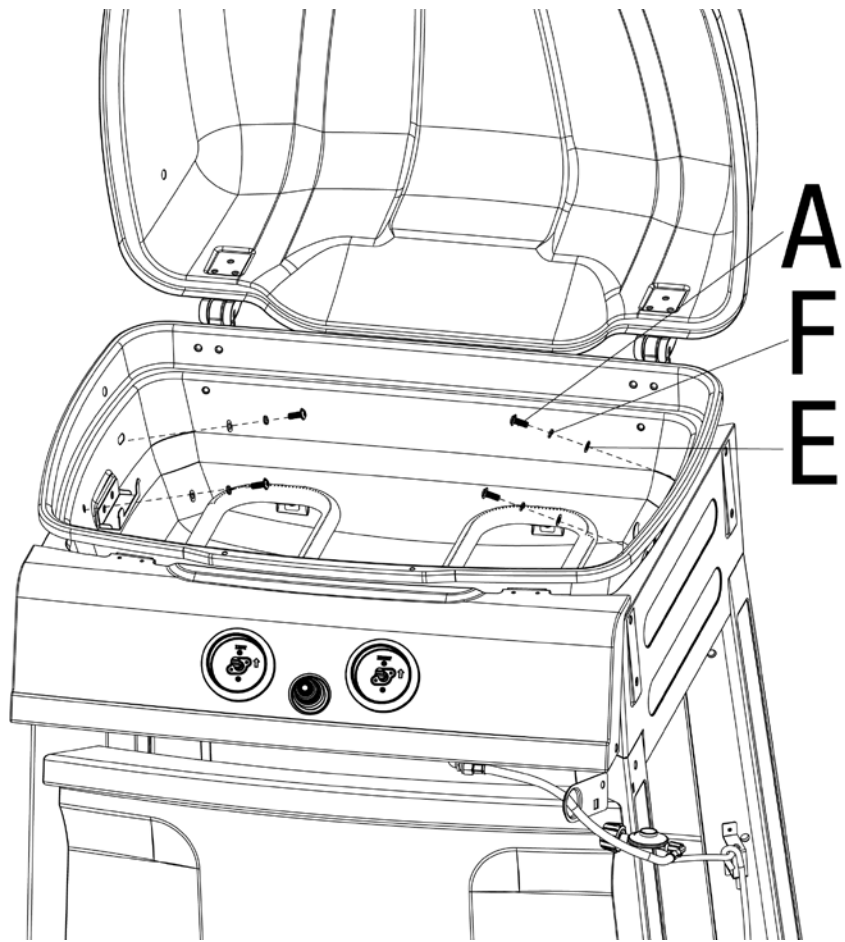
Attach Temperature Gauge



Assembly Instructions (continued)

9

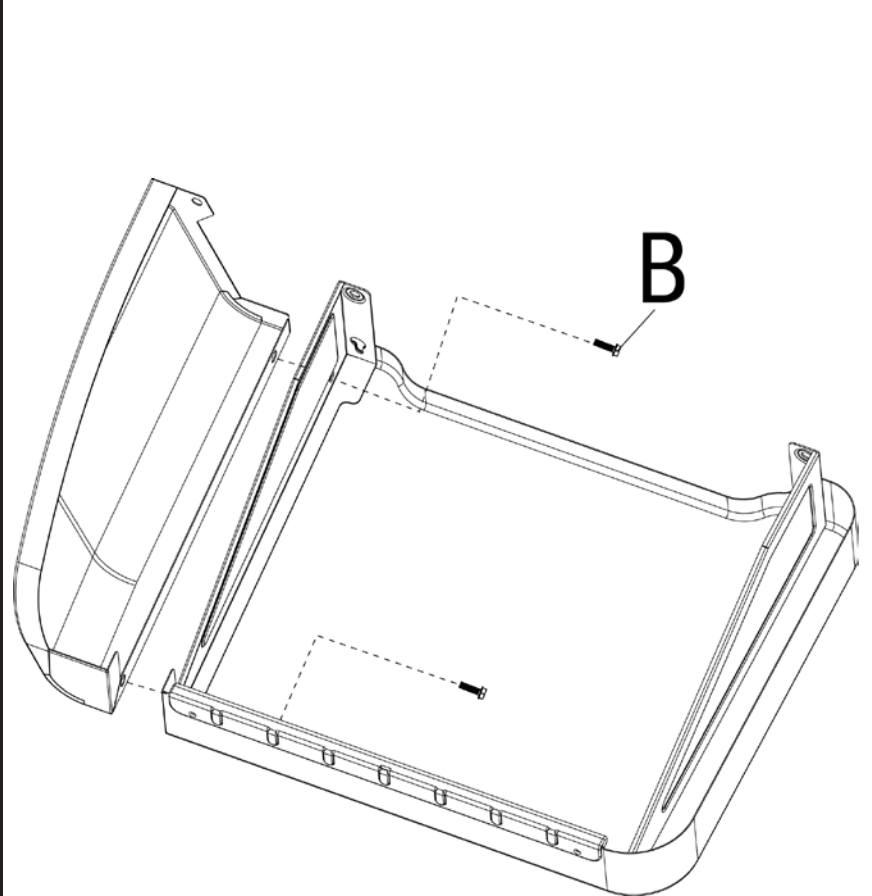
Attach Grill Body Assembly



- A x4 F x4
- E x4

10

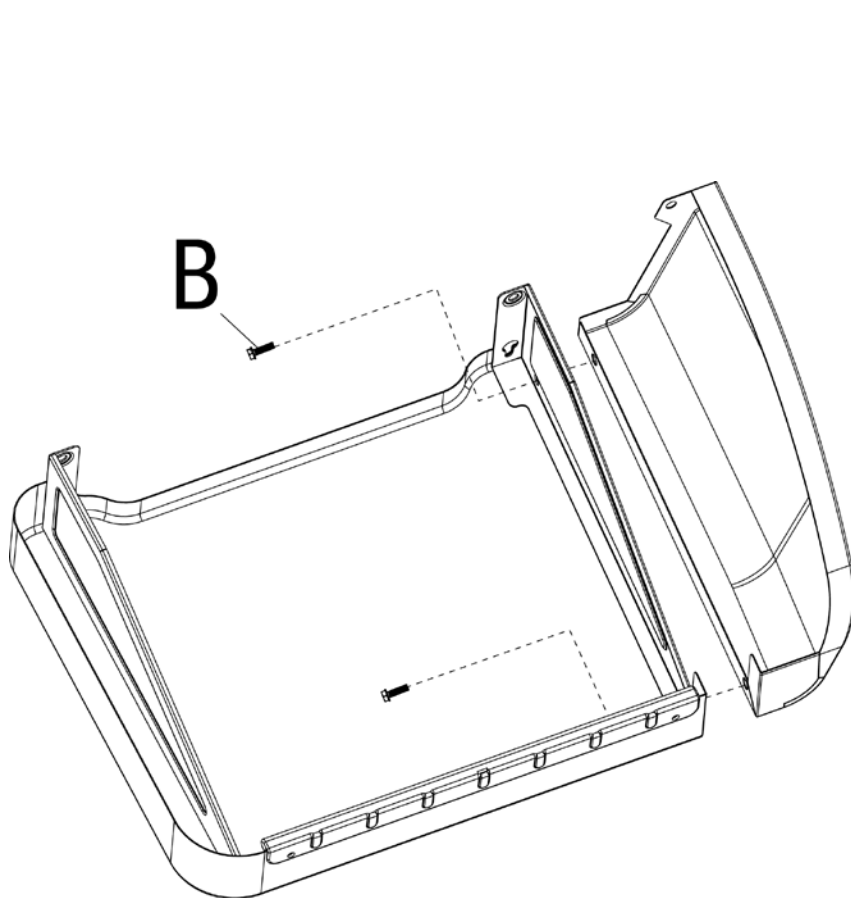
Assemble Left Side Shelf



- B x2

11

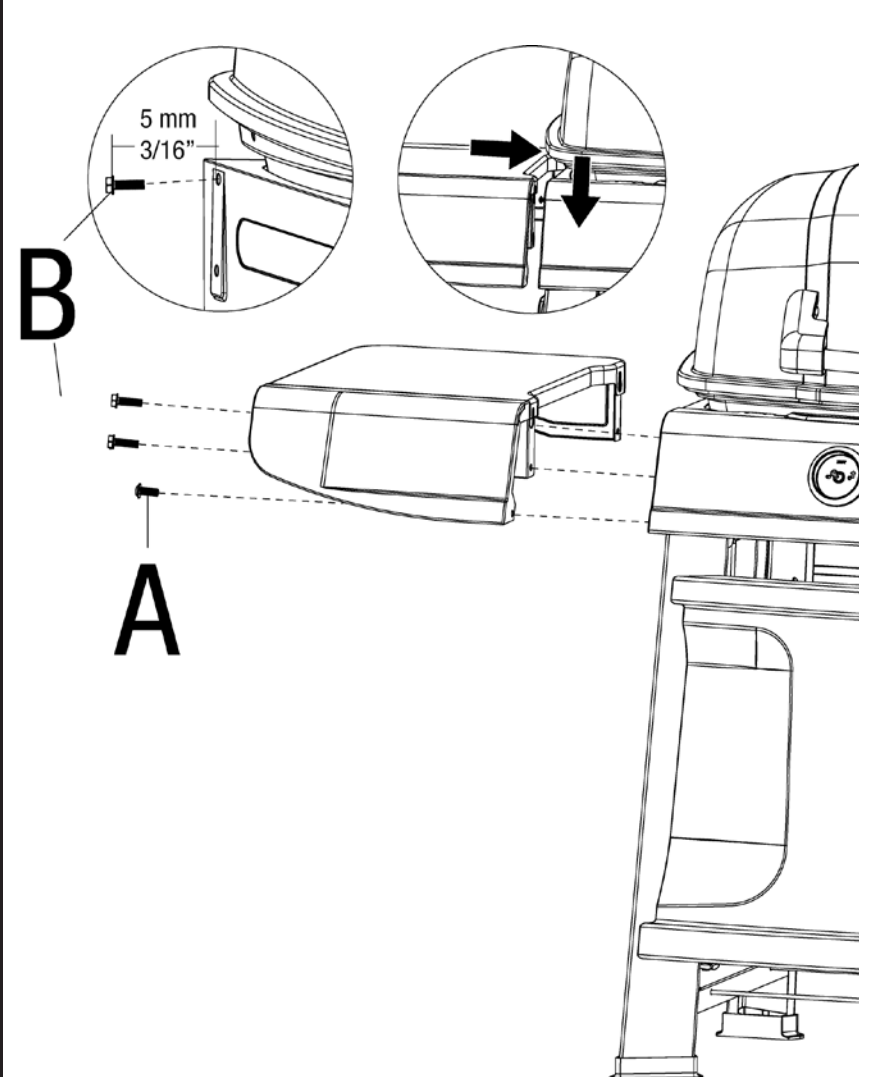
Assemble Right Side Shelf



- B x2

12

Attach Left Side Shelf

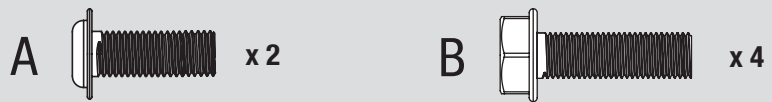
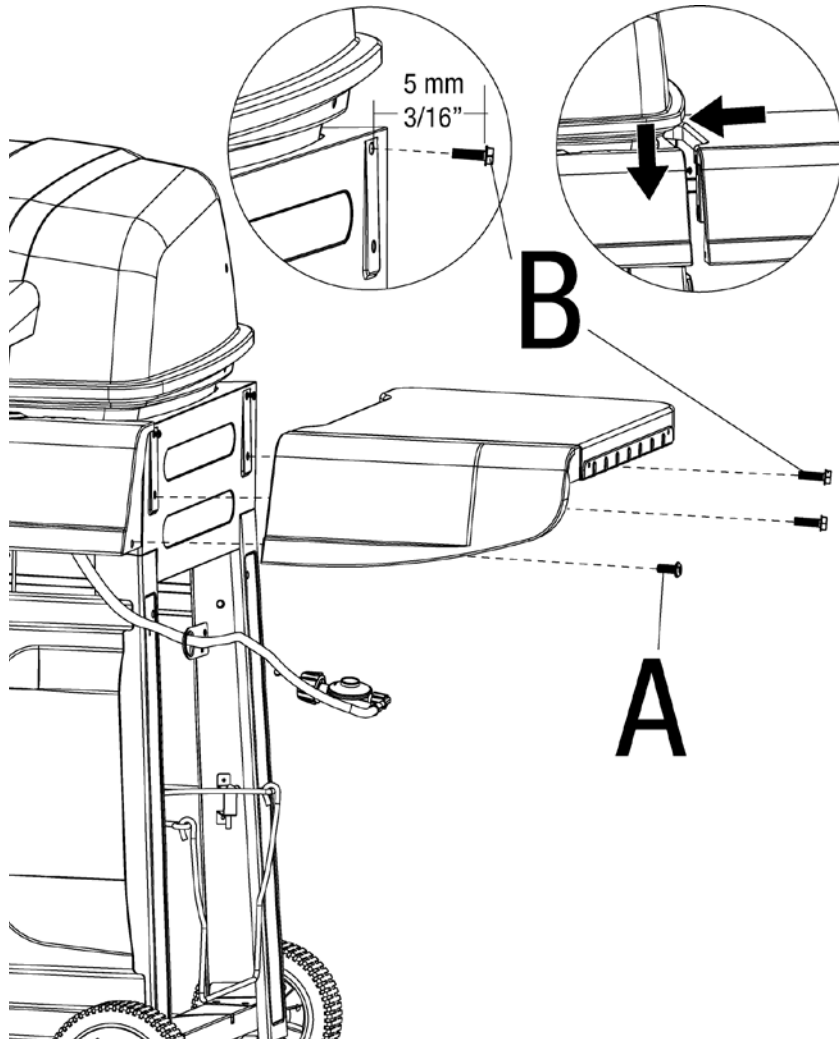


- A x1 B x4

Contact 1.800.762.1142 for assistance. Do not return to place of purchase.

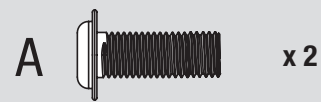
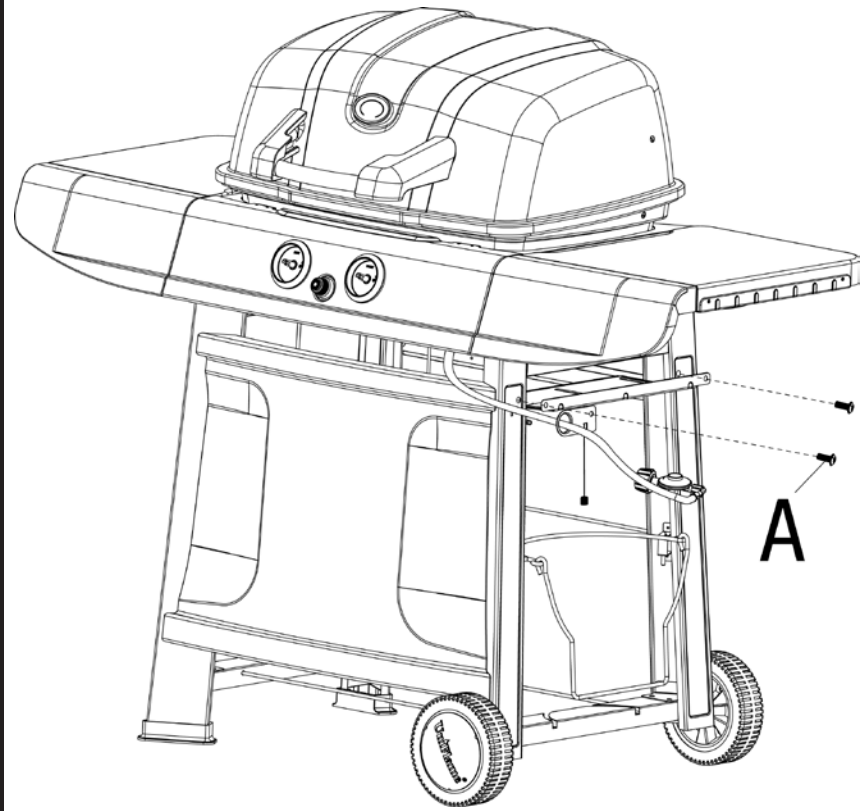
13

Attach Right Side Shelf



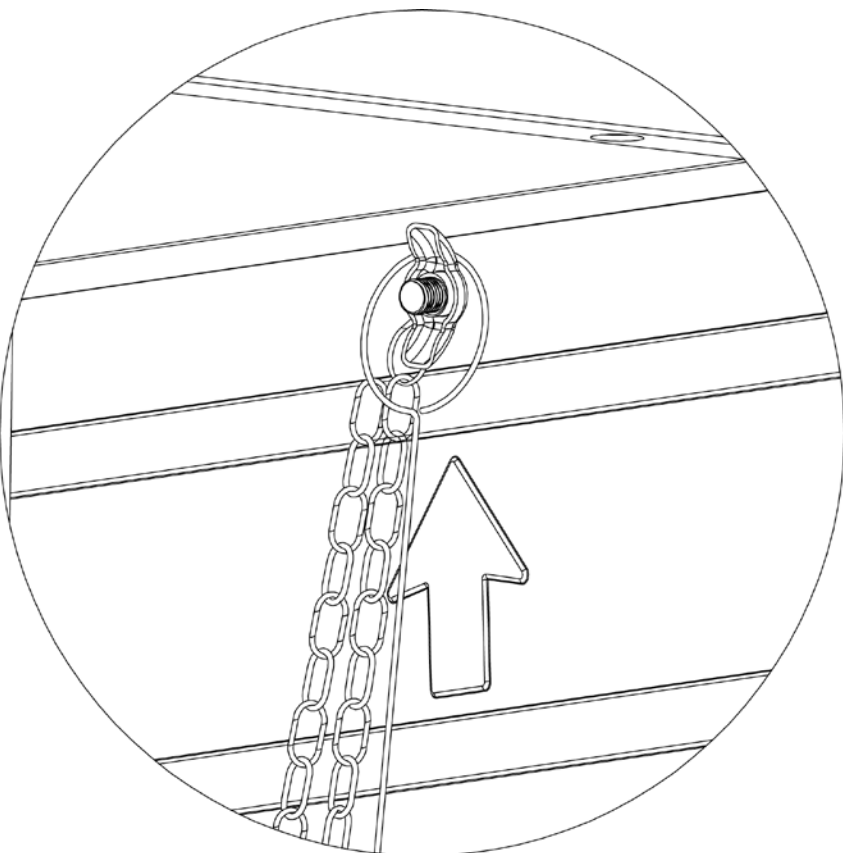
14

Attach LP Gas Tank Shield and QCC Clip



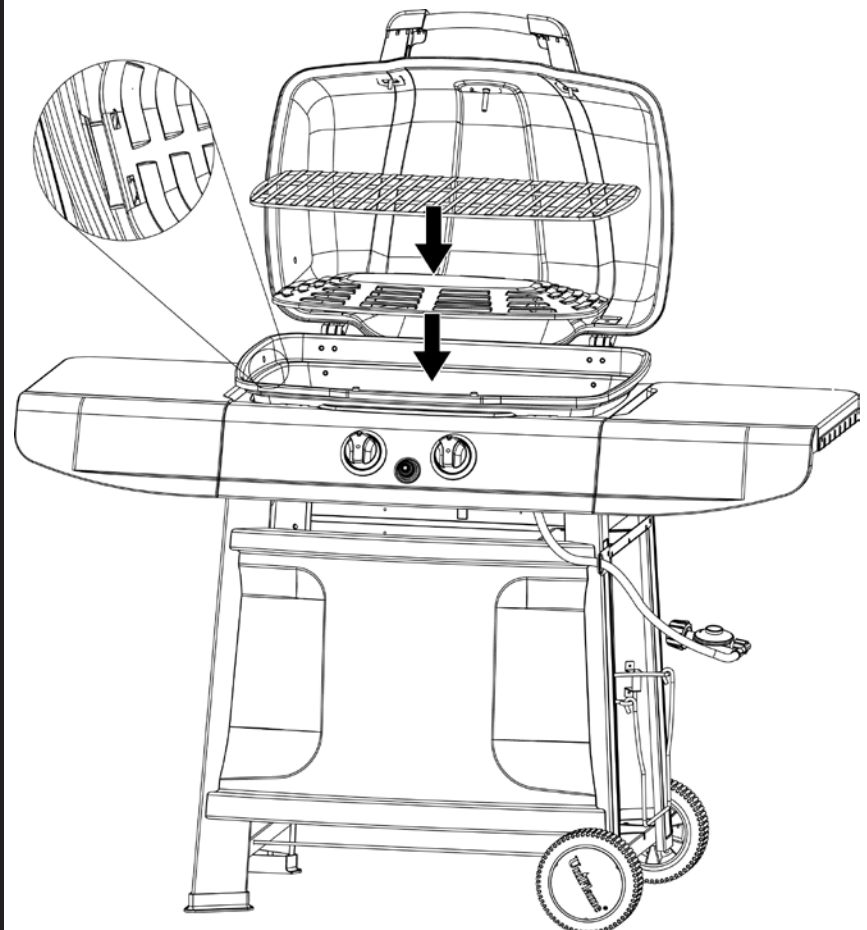
15

Placement of Lighting Rod



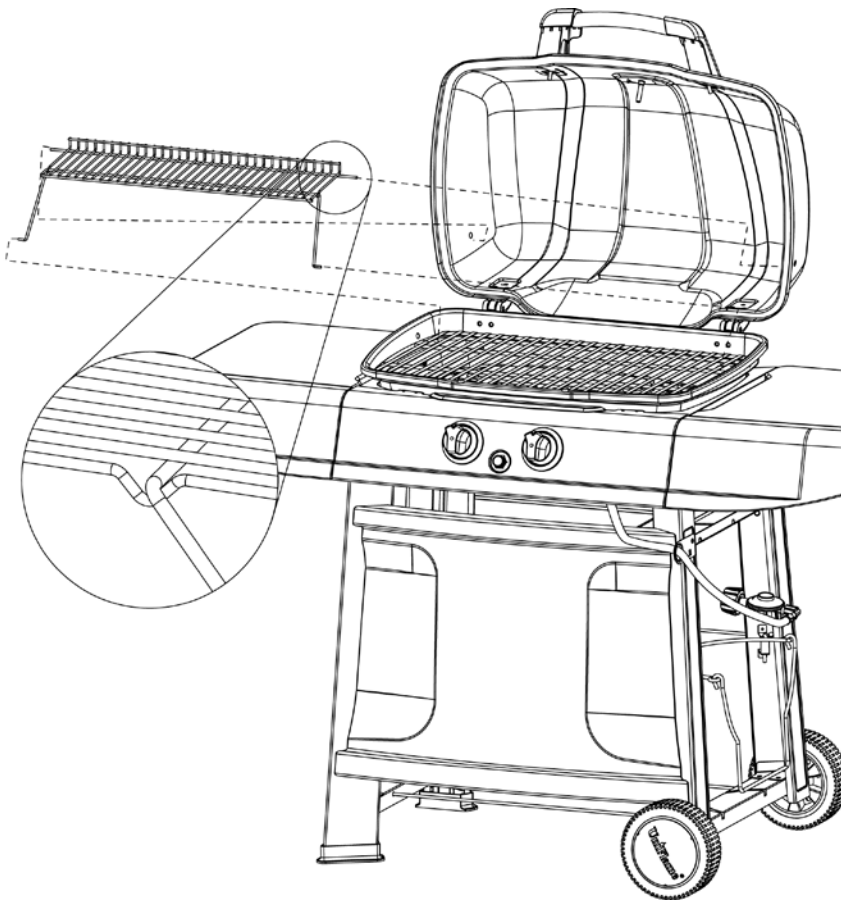
16

Insert Heat Plate and Cooking Grid

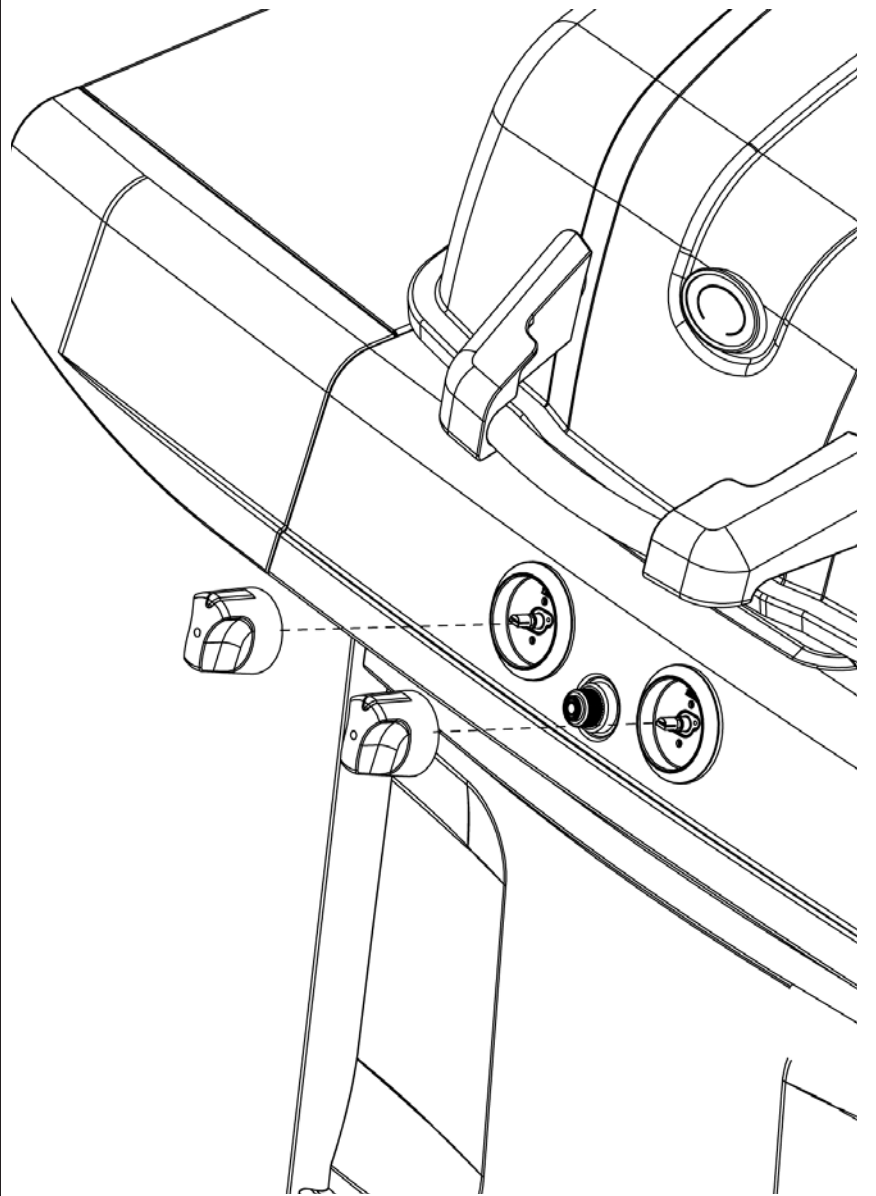


Assembly Instructions (continued)

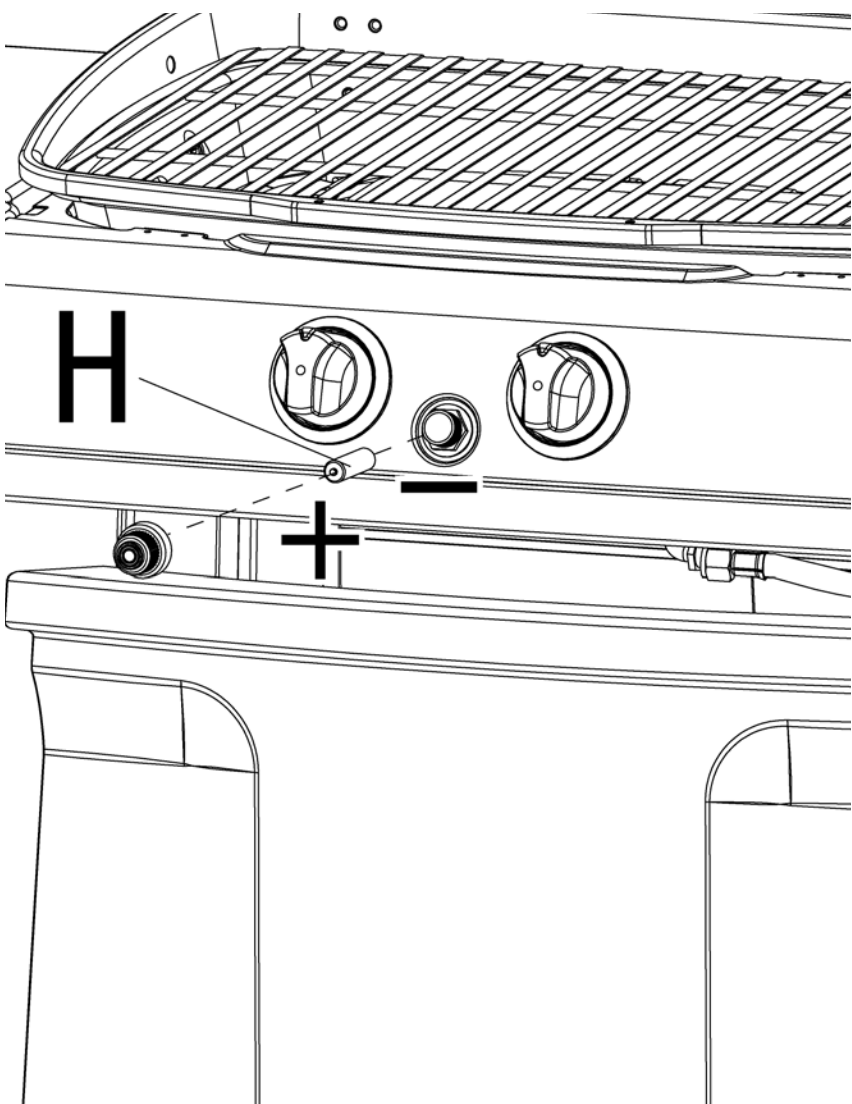
17 Insert Warming Rack



18 Attach Control Knobs

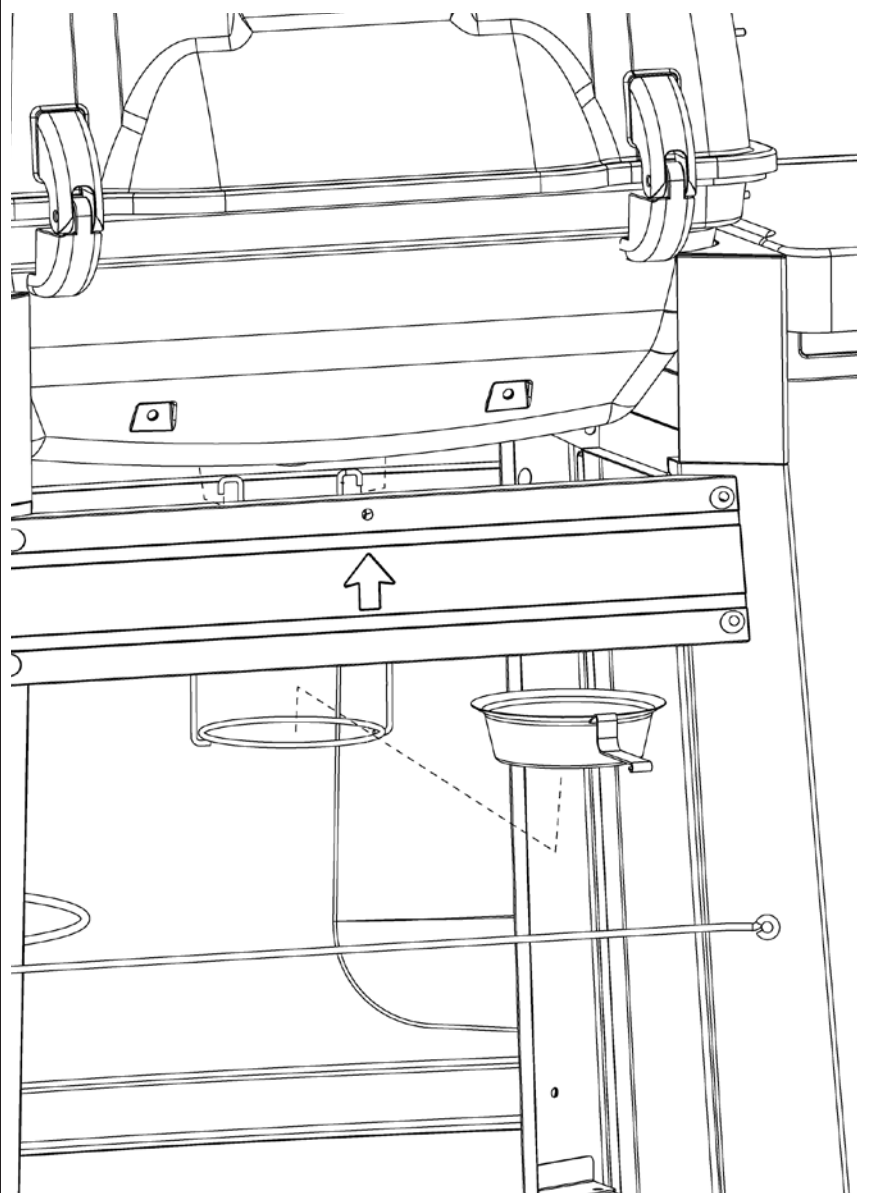


19 Insert AA Battery



H  x1

20 Attach Grease Cup Support and Grease Cup



Contact 1.800.762.1142 for assistance. Do not return to place of purchase.

Installing LP Gas Tank

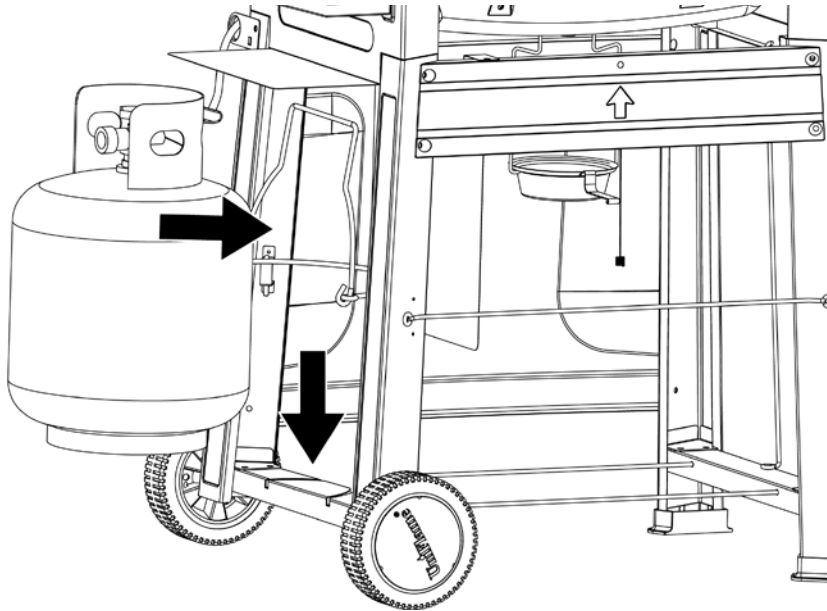
To operate you will need (1) precision-filled standard grill LP gas tank (20#) with external valve threads.

Note: An empty standard grill LP gas tank weighs approximately 18 lbs. A precision-filled standard grill LP gas tank should weigh no more than 38 lbs.



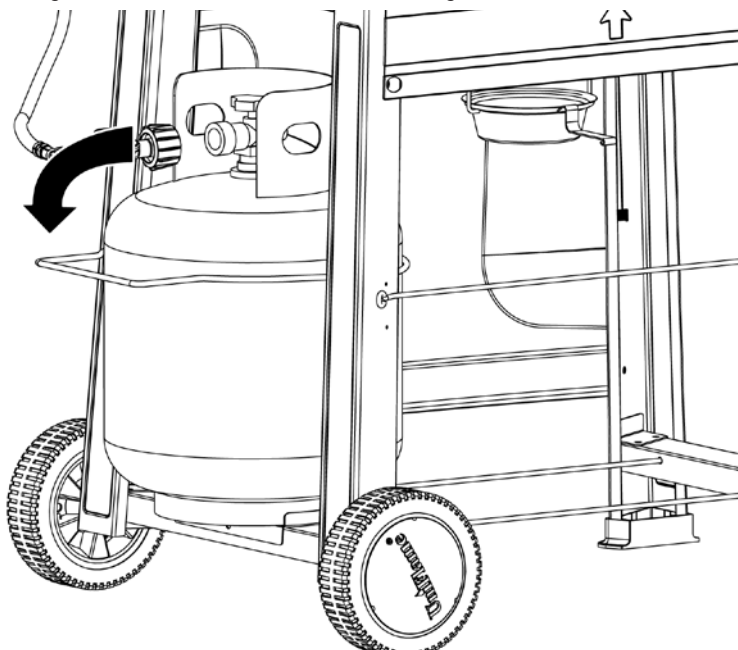
Insert LP Gas Tank

Place precision filled LP gas tank upright into hole in grill body so the tank valve is facing the gas line connection.



Secure LP Gas Tank

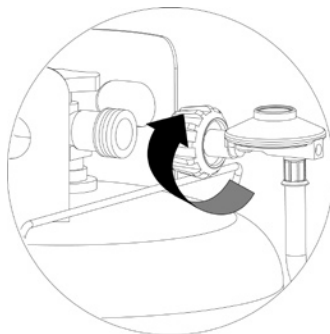
Secure tank by sliding tank retainer wire over shoulder of LP gas tank.



Connect LP Gas Tank

Before connecting, be sure that there is no debris caught in the head of the LP gas tank, head of the regulator valve or in the head of the burner and burner ports.

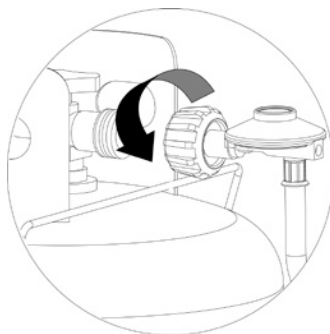
Connect gas line to tank by turning knob clockwise until it stops.



Disconnect LP Gas Tank

Before disconnecting make sure the LP gas tank valve is "OFF".

Disconnect gas line from LP gas tank by turning knob counterclockwise until it is loose.



Need a tank of gas? Try tank exchange service. It's easy, fast, safe, and available at tens of thousands of conveniently located retail outlets nationwide. You can purchase a new full tank or exchange your empty for a precision filled one.

Operating Instructions

Checking for Leaks

Burner Connections

1. Make sure the regulator valve and hose connections are securely fastened to the burner and the tank.

If your unit was assembled for you, visually check the connection between the burner venturi pipe and orifice. Make sure the burner venturi pipe fits over the orifice.

⚠ WARNING: Failure to inspect this connection or follow these instructions could cause a fire or an explosion which can cause death, serious bodily injury, or damage to property.

2. Please refer to diagram for proper installation. (Figure 1 and 2)

3. If the burner pipe does not rest flush to the orifice, please contact 1.800.762.1142 for assistance.

Tank/Gas Line Connection

1. Make 2-3 oz. of leak solution by mixing one part liquid dishwashing soap with three parts water.

2. Make sure control knobs are "OFF". (Figure 2)

3. Turn LP gas tank "ON" at valve.

4. Spoon leak check solution at all "X" locations (Figure 4)

a. If any bubbles appear turn LP gas tank "OFF", reconnect and re-test.

b. If you continue to see bubbles after several attempts, turn LP gas tank "OFF" and disconnect LP gas tank and contact 1.800.762.1142 for assistance.

c. If no bubbles appear after one minute turn tank "OFF", wipe away solution and proceed.

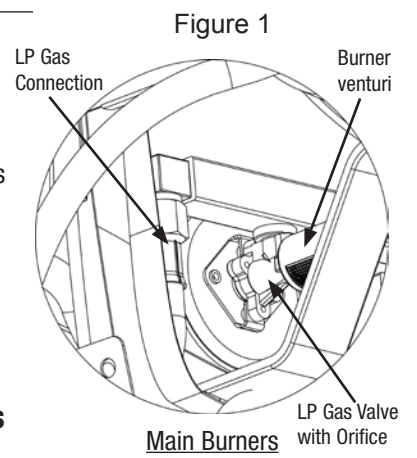


Figure 1

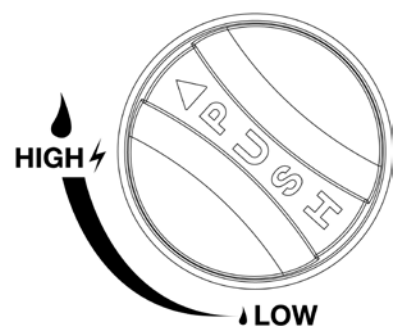
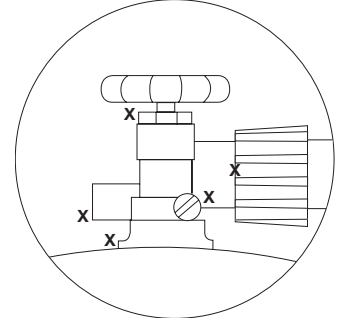


Figure 2
OFF

Figure 4



Operating Main Burners

First Use

1. Make sure all labels, packaging and protective films have been removed from the grill.

2. Remove manufacturing oils before cooking on this grill for the first time, by operating the grill for at least 15 minutes on "HIGH" with the lid closed. This will "heat clean" the internal parts and dissipate odors.

Lighting

1. Open lid. **Attempting to light the burner with the lid closed may cause an explosion!**

2. Make sure there are no obstructions of airflow to the burners. Spiders and insects can nest within and clog the burner / venturi tube at the orifice. A clogged burner tube can lead to a fire beneath the appliance.

3. All control knobs must be in the "OFF" position. (Figure 2)

4. Turn ON gas at LP gas tank.

5. Push and turn control knob counterclockwise to "HIGH".

6. Press the electronic igniter button and hold for 5 seconds to light burner.

7. If ignition does not occur in 5 seconds, turn burner control knob "OFF", wait 5 minutes, and repeat lighting procedure.

8. If igniter does not light burner, use a lit match secured with the lighting rod provided to light burners manually. Access the burners through the cooking grid and heat plates. Position the lit match near side of the burner. (Figure 4)

Important: Always use the lighting rod provided when lighting burners with a match.

9. After lighting, observe the burner flame, make sure all burner ports are lit and flame height matches illustration. (Figure 5)

⚠ Caution: If burner flame goes out during operation, immediately turn the gas "OFF" and open lid to let the gas clear for about 5 minutes before re-lighting.

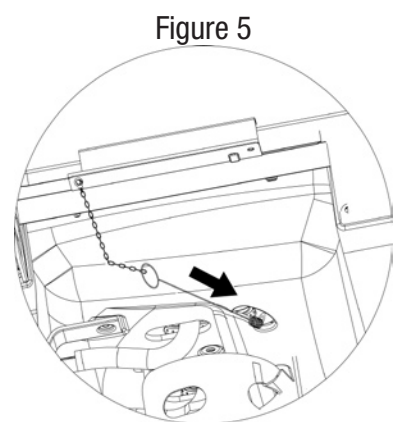


Figure 5

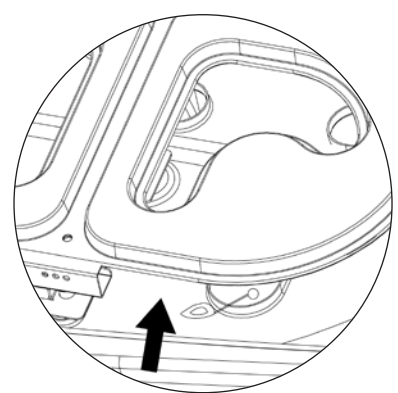
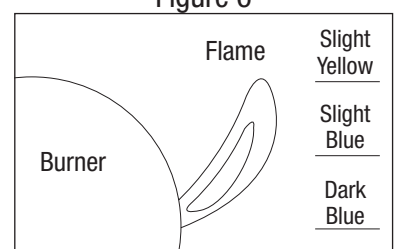


Figure 6



Operating Instructions

Turning Off

1. Turn gas OFF at LP gas tank.
2. Turn all control knobs clockwise to the "OFF" position.

Direct Cooking

Cooking directly over hot burners. Ideal for searing in juices and grilling food requiring less than 25 minutes of grilling time, such as steaks, hamburgers, hot dogs, chicken parts, vegetables and fruit.

1. Open lid and ignite the desired amount of burners per lighting instructions in owner's manual.
2. Close lid and preheat grill on "HIGH".
3. Wear protective gloves and use long handle tongs to place food onto cooking grids above the lit burners.
4. Adjust controls to desired temperature.
5. With lid open or closed, cook until desired internal food temperatures are achieved.
6. Turn grill OFF by first closing the valve on the propane tank. Burn off remaining gas in lines by waiting 15 seconds then turn all burner controls to the OFF position. A "poof" sound is normal as the last of the LP gas is burned.

Indirect Cooking

Not cooking directly over hot burners. Ideal for slow cooking and foods requiring more than 25 minutes such as most roasts, loins, chops, whole chickens, turkey, fish and baked goods.

1. Open lid and ignite the desired amount of burners per lighting instructions in owner's manual.
2. Close lid and preheat grill on "HIGH".
3. Wear protective gloves and use long handle tongs to place food onto cooking grids above the un-lit burners.
4. Adjust controls to desired temperature.
5. With lid closed, cook until desired internal food temperatures are achieved.
6. Turn grill OFF by first closing the valve on the propane tank. Burn off remaining gas in lines by waiting 15 seconds then turn all burner controls to the "OFF" position. A "poof" sound is normal as the last of the LP gas is burned.

For more tips on indirect cooking please see "Tips for Better Cookouts and Longer Grill Life"

Tips for Better Cookouts and Longer Grill Life

1. For food safety tips visit: http://www.fsis.usda.gov/Fact_Sheets/Barbecue_Food_Safety/
2. Use the upper cooking grid (warming rack) for keeping cooked food warm, toasting breads or cooking delicate foods in aluminum foil pouches.
3. Use the side burner of this appliance like a normal kitchen range for boiling, sautéing or frying.
4. To keep food from sticking to the grids, spray or coat with cooking oil before lighting.
5. To reduce flare-up keep grill clean, use lean cuts of meat (or trim fat) and avoid cooking on very high temperatures.
6. Place delicate foods like fish and vegetables in aluminum foil pouches and indirect cook or place on upper cooking levels (warming rack).
7. To avoid losing natural juices, use long handled tongs or spatulas instead of forks and turn foods over just once during cooking.
8. When direct cooking adjust your burners to different levels so foods can be prepared to different internal temperatures in the same time frame.
9. When indirect cooking roasts and larger cuts of meat, place meat onto a roasting rack inside a heavy gauge metal pan. Place pan over the un-lit burners.
10. Try water pans to reduce flare-ups and cook juicer meats. Before starting grill remove cooking grids and place a heavy duty shallow pan directly on heat plates. Fill half way with water, fruit juices or other flavored liquids. Replace cooking grids and position food over the loaded pan.
11. Enhance food flavors by using wood chips in smoker boxes or aluminum foil pouches. Follow the wood manufacturer's instructions.
12. Rotisseries, grill baskets, vertical poultry holders and other accessories can enhance your experiences, reduce cooking times and aid in clean-up.
13. Clean cooking grids and racks after every use with a quality grill brush designed for your grid material. Wear protective gloves and gently remove the build-up while grids are hot.
14. After every use, allow grill to cool. Then protect clean cooking grids with a light coat of cooking oil, empty grease pan, wipe outside surfaces with a suitable kitchen cleaner and protect surfaces with a quality cover that properly fits your grill.
15. Visit websites like www.bluerhino.com, watch barbecue themed TV shows or purchase related barbecue cookbooks to learn more interesting tips like – *A gas grill is ideal for reheating leftover pizza. Set burners on low and place pizza slices directly on preheated cooking grid. Close lid and cook until cheese starts to bubble.*

Cleaning and Care

CAUTION:

1. All cleaning and maintenance should be done when grill is cool and with the fuel supply disconnected.
2. DO NOT clean any grill part in a self cleaning oven. The extreme heat will damage the finish.

Notices

1. This grill should be thoroughly cleaned and inspected on a regular basis.
2. Abrasive cleaners will damage this product.
3. Never use oven cleaner to clean any part of grill.
4. Do not clean any grill part in a self cleaning oven. The extreme heat will damage the finish.

Before Each Use:

1. Keep the grill area clean and free from any combustible materials, gasoline, and other flammable vapors and liquids.
2. Do not obstruct the flow of the combustion of LP and the ventilation air.
3. Keep the ventilation opening(s) of the LP gas tank area free and clear from debris.
4. Visually check the burner flames, to make sure your grill is working properly.
5. See sections below for proper cleaning instructions.
6. Check and clean the burner/venturi tubes for insects and insect nests. A clogged tube can lead to a fire beneath the grill.

Cleaning Surfaces

1. Wipe surfaces clean with mild dishwashing detergent or baking soda.
2. For stubborn surfaces use a citrus based degreaser and a nylon scrubbing brush.
3. Rinse clean with water.

Cleaning Main Burner

1. Turn gas "OFF" at the control knobs and LP gas tank.
2. Remove cooking grid and heat plates.
3. Remove burner by removing the fasteners securing the burner to the grill bottom.
4. Lift burner up and away from gas valve orifice.
5. Disconnect wire from spark electrode.
6. Clean inlet (venturi) of burner with small bottle brush or compressed air.
7. Remove all food residue and dirt on burner surface.
8. Clean any clogged ports with a stiff wire (such as an opened paper clip)
9. Inspect burner for any damage (cracks or holes). If damage is found, replace with new burner.
10. Reinstall burner, check to insure that gas valve orifice is correctly positioned inside burner inlet (venturi). Also check position of spark electrode.
11. Replace heat plate and cooking grid.
12. Perform leak test.

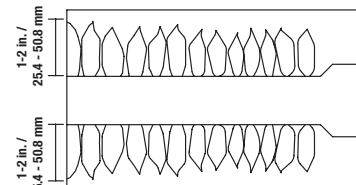
Cleaning Side Burner

1. Turn gas "OFF" at the control knobs and LP gas tank.
2. Remove side burner grid.
3. Remove burner by removing the screws securing the burner to the side shelf.
4. Lift burner up and away from gas valve orifice.
5. Clean inlet (venturi) of burner with small bottle brush or compressed air.
6. Remove all food residue and dirt on burner surface.
7. Clean any clogged ports with a stiff wire (such as an opened paper clip)
8. Inspect burner for any damage (cracks or holes). If damage is found, replace with new burner.
9. Reinstall burner, check to insure that gas valve orifice is correctly positioned inside burner inlet (venturi). Also check position of spark electrode.
10. Replace cooking grid.
11. Perform leak test.

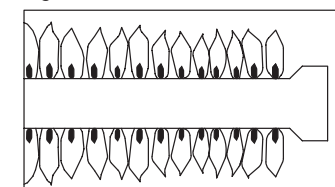
Figure 9

Burner Flame Conditions

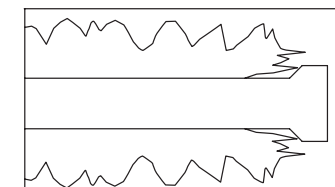
Use this chart check to see if your burners need to be cleaned.



Normal: Soft blue flames with yellow tips between 1 in. - 2 in. high.



Needs Cleaning: Noisy with hard blue flames.



Has to be cleaned: Wavy with yellow flames.

Contact 1.800.762.1142 for assistance. Do not return to place of purchase.

Product Registration

For faster warranty service, please register your product immediately at www.bluerhino.com or call 1.800.762.1142.

Limited Warranty

Blue Rhino Global Sourcing, Inc (“Vendor”) warrants to the original retail purchaser of this product, and to no other person, that if this product is assembled and operated in accordance with the printed instructions accompanying it, then for a period of one (1) year from the date of purchase, all parts in such product shall be free from defects in material and workmanship. Vendor may require reasonable proof of your date of purchase. Therefore, you should retain your sales slip or invoice. This Limited Warranty shall be limited to the repair or replacement of parts, which prove defective under normal use and service and which Vendor shall determine in its reasonable discretion upon examination to be defective. Before returning any parts, you should contact Vendor’s Customer Service Department using the contact information listed below. If Vendor confirms, after examination, a defect covered by this Limited Warranty in any returned part, and if Vendor approves the claim, Vendor will replace such defective part without charge. If you return defective parts, transportation charges must be prepaid by you. Vendor will return replacement parts to the original retail purchaser, freight or postage prepaid.

This Limited Warranty does not cover any failures or operating difficulties due to accident, abuse, misuse, alteration, misapplication, improper installation or improper maintenance or service by you or any third party, or failure to perform normal and routine maintenance on the product as set out in this owner’s manual. In addition, the Limited Warranty does not cover damage to the finish, such as scratches, dents, discoloration, rust or other weather damage, after purchase.

This Limited Warranty is in lieu of all other express warranties. Vendor disclaims all warranties for products that are purchased from sellers other than authorized retailers or distributors, including the warranty of merchantability or the warranty of fitness for a particular purpose. **VENDOR ALSO DISCLAIMS AND ANY ALL IMPLIED WARRANTIES, INCLUDING WITHOUT LIMITATION THE IMPLIED WARRANTIES OF MERCHANTABILITY AND FITNESS FOR A PARTICULAR PURPOSE. VENDOR SHALL NO LIABILITY TO PURCHASER OR ANY THIRD PARTY FOR ANY SPECIAL, INDIRECT, PUNITIVE, INCIDENTAL, OR CONSEQUENTIAL DAMAGES.** Vendor further disclaims any implied or express warranty of, and assumes no responsibility for, defects in workmanship caused by third parties.

This Limited Warranty gives the purchaser specific legal rights; a purchaser may have other rights depending upon where he or she lives. Some jurisdictions do not allow the exclusion or limitation of special, incidental or consequential damages, or limitations on how long a warranty lasts, so the above exclusion and limitations may not apply to everyone.

Vendor does not authorize any person or company to assume for it any other obligation or liability in connection with the sale, installation, use, removal, return, or replacement of its equipment, and no such representations are binding on Vendor.

Blue Rhino Global Sourcing, Inc
Winston-Salem, North Carolina 27105 USA
1.800.762.1142



Troubleshooting

Problem	Possible Cause	Prevention/Cure
Burner will not light using ignitor	Wires or electrode covered with cooking residue.	Clean wire and/or electrode with rubbing alcohol.
	Electrode and burners are wet.	Wipe dry with cloth.
	Electrode cracked or broken - sparks at crack.	Replace electrode.
	Wire loose or disconnected.	Reconnect wire or replace electrode/wire assembly
	Wire is shorting (sparking) between ignitor and electrode.	Replace ignitor wire/electrode assembly
	Bad ignitor.	Replace ignitor
Burner will not light with match	No gas flow.	Check if LP gas tank is empty. If LP gas tank is not empty, refer to "Sudden drop in gas flow (reduced flame height). If empty, replace or refill.
	Coupling nut and regulator not fully connected.	Turning the coupling nut about one-half to three quarters additional turn until solid stop. Tighten by hand only-do not use tools.
	Obstruction of gas flow.	Clear burner tubes. Check for bent or kinked hose.
	Disengagement of burner to valve.	Reengage burner and valve.
	Spider webs or insect nest in venturi.	Clean venturi.
	Burner ports clogged or blocked.	Clean burner ports.
Sudden drop in gas flow or reduced flame height	Out of gas.	Replace or refill LP gas tank
	Excess flow safety device may have been activated.	Turn off knobs, wait 30 seconds and light grill. If flames are still too low Reset the excessive flow safety device by turning off knobs and LP gas tank valve. Disconnect regulator. Turn burner control knobs to HIGH. Wait 1 minute. Turn burner control knobs off. Reconnect regulator and leak check connections. Turn LP gas tank valve on slowly, wait 30 seconds and then light grill.
Irregular flame pattern, flame does not run the full length of burner.	Burner ports are clogged or blocked.	Clean burner ports.
Flame is yellow or orange.	New burner may have residual manufacturing oils.	Burn grill for 15 minutes with the lid closed
	Spider webs or insect nest in venturi	Clean venturi.
	Food residue, grease or seasoning salt on burner.	Clean burner.
	Poor alignment of valve to burner venturi.	Assure burner venturi is properly engaged with valve
Flame blow out	High or gusting winds	Turn front of grill to face wind or increase flame height to "HIGH" setting
	Low on LP Gas	Replace or refill LP gas tank
	Excess flow valve tripped	Refer to "Sudden drop in gas flow"
Flare-up	Grease buildup.	Clean grill.
	Excess fat in meat.	Trim fat from meat before grilling.
	Excessive cooking temperature.	Adjust (lower) temperature accordingly.
Persistent grease fire.	Grease trapped by food buildup around burner system	Turn knobs to "OFF". Turn gas off at LP gas tank. Leave lid in closed position and let fire burn out. After grill cools, remove and clean all parts.
Flashback (fire in burner tube(s))	Burner and/or burner tubes are blocked	Clean burner and/or burner tubes
Inside of lid is peeling-like paint peeling	The lid is stainless steel, not paint.	Baked on grease buildup has turned to carbon and is flaking off. Clean thoroughly.

For more assistance please visit us online at www.bluerhino.com or call 1.800.762.1142 for immediate assistance.



Problème		Cause possible		Prévention/mesure corrective	
Le brûleur ne s'allume pas en utilisant l'allumeur électrique.		Les fils ou l'électrode sont recouverts de résidus de cuisson. Nettoyez le fil conducteur et/ou l'électrode avec de l'alcool isopropylique.		Essuyez avec un chiffon.	
		L'électrode est fendue ou brisée, des étincelles apparaissent au niveau de la fente.		Remplacez l'électrode.	
		Le fil est desserré ou déconnecté.		Reconnectez le conducteur ou remplacez l'ensemble électrode-fil conducteur.	
		Court-circuit (étincelles) du fil conducteur entre l'allumeur et l'électrode.		Remplacez l'ensemble électrode-fil conducteur.	
		Allumeur défectueux.		Remplacez l'allumeur.	
Le brûleur ne s'allume pas avec une allumette		Absence de propane.		Vérifiez si la bouteille de propane est vide. Si la bouteille n'est pas vide, reportez-vous à "Baisse soudaine du débit du propane" (hauteur réduite de flamme). Si elle est vide, remplacez-la ou remplissez-la.	
		L'écart de couplage et le régulateur ne sont pas complètement raccordés.		Tournez l'écart de couplage demi ou trois quart de tour de plus jusqu'à l'arrêt complet. Serrez manuellement sans utiliser d'outils.	
		Obstruction du débit de propane.		Nettoyez les tubes des brûleurs. Assurez-vous que le tuyau n'est pas plié ou déformé.	
		Le brûleur n'est plus raccordé à la soupape.		Raccordez à nouveau le brûleur et la soupape.	
		Araignées ou insectes dans le venturi.		Nettoyez le venturi.	
		Les orifices du brûleur sont bouchés ou bloqués.		Nettoyez les orifices du brûleur.	
Baisse soudaine du débit de propane ou hauteur réduite de flamme.		Il n'y a plus de propane.		Assurez-vous que la bouteille contient du propane.	
		Le dispositif de sécurité de limitation de débit a peut-être été déclenché.		Tournez les boutons jusqu'à « OFF » (arrêt), attendez 30 secondes puis allumez le barbecue. Si les flammes demeurent trop basses, réarmez le dispositif de sécurité de limitation de débit en réglant les boutons sur « OFF » (arrêt) et en fermant le robinet de gaz de la bouteille. Débranchez le régulateur. Tournez les boutons de réglage du brûleur sur « HIGH » (max). Attendez 1 minute. Tournez les boutons de réglage du brûleur sur « OFF » (arrêt). Rebranchez le régulateur et assurez-vous que le raccord ne présente pas de fuite. Ouvrez lentement le robinet de la bouteille de propane, attendez 30 secondes puis allumez le barbecue.	
Flamme irrégulière, flamme ne se répartissant pas sur toute la longueur du brûleur.		Les orifices du brûleur sont bouchés ou bloqués.		Nettoyez les orifices du brûleur.	
La flamme est jaune ou orange.		Le nouveau brûleur peut contenir des huiles résiduelles de fabrication.		Laissez le barbecue fonctionner pendant encore 15 minutes avec le couvercle fermé.	
		Toiles d'araignées ou nid d'insectes dans le venturi.		Nettoyez le venturi.	
		Restes de nourriture, de graisse ou d'assaisonnement sur le brûleur.		Nettoyez le brûleur.	
La flamme s'éteint.		Vent fort ou bourrasques.		Présentez l'avant du barbecue face au vent ou réglez-le sur «HIGH» afin d'augmenter la hauteur de la flamme.	
		La bouteille de propane est presque vide.		Remplacez ou remplissez la bouteille de propane.	
		La soupape de limitation de débit s'est déclenchée.		Reportez-vous à "Baisse soudaine du débit de propane".	
Le feu s'enflamme brusquement.		Accumulation de graisse.		Nettoyez le barbecue.	
		La viande est trop grasse.		Éliminez la graisse de la viande avant de la griller.	
		La température de cuisson est trop élevée.		Réglez à la baisse la température.	
Feu de graisse persistant.		Graisse piégée par accumulation de nourriture autour des brûleurs.		Tournez les boutons sur «OFF» (arrêt). Fermez le propane au niveau de la bouteille. Laissez le couvercle fermé et laissez la graisse se consumer. Après que le barbecue se soit refroidi, retirez et nettoyez toutes les pièces.	
Retour de flammes (feu dans le ou les tubes de brûleurs)		Le brûleur et/ou ses tubes sont bouchés.		Nettoyez le brûleur et/ou les tubes du brûleur.	
L'intérieur du couvercle s'écaille comme de la peinture.		Le couvercle est en acier inoxydable sans peinture.		L'accumulation de graisse cuite s'est transformée en carbone et s'écaille. Nettoyez rigoureusement le couvercle.	
Pour toute assistance, veuillez consulter notre site internet www.bluerhino.com ou appeler le 1.800.762.1142 pour une assistance immédiate.					

Enregistrement de l'appareil

Pour bénéficier plus rapidement du service offert par la garantie, veuillez enregistrer cet article immédiatement sur le site internet www.bluerhino.com ou appelez le 1.800.762.1142.

Garantie limitée

La société Blue Rhino Global Sourcing, Inc. ("le fabricant") garantit cet article au premier acheteur au détail et à aucune autre personne, contre tout vice de matériau et de fabrication pendant un (1) an à partir de la date d'achat si cet article est monté et utilisé conformément aux instructions fournies. Le fabricant vous demandera sans doute une preuve raisonnable d'achat datée, veuillez donc conserver votre facture ou votre reçu. Cette garantie limitée se limitera à la réparation ou au remplacement de pièces ayant été déterminées défectueuses par le fabricant lors de conditions d'utilisation et d'entretien normales. Avant de renvoyer une pièce, contactez le service à la clientèle du fabricant (Customer Service Department). Si le fabricant confirme le défaut de fabrication et approuve la réclamation, ce dernier remplacera gratuitement les dites pièces. Si vous devez renvoyer des pièces défectueuses, les pièces devront être expédiés port-payé. Le fabricant s'engage à renvoyer les pièces à l'acheteur port-payé.

Cette garantie limitée ne couvre pas les pannes et dysfonctionnements survenant suite à tout accident, mauvais usage, entretien incorrect de cet article, ou toute modification, mauvaise installation ou négligence comme il a été établi dans ce manuel. De plus, cette garantie limitée ne couvre pas les dommages au fini, à savoir les rayures, les bosses, les traces de décoloration, de rouille ou les dommages résultant des intempéries après achat de l'article.

Cette garantie remplace toute autre garantie expressée et il n'existe aucune autre garantie expressée à l'exception de la couverture indiquée ici. Le fabricant désavoue toute garantie couvrant des produits ayant été achetés auprès de revendeurs autres que les revendeurs et distributeurs agréés y compris toute garantie de commercialibilité et d'adaptation à un usage particulier. LE FABRICANT DÉCLINE ÉGALEMENT TOUTE GARANTIE IMPLICITE Y COMPRIS TOUTE GARANTIE DE COMMERCIALIBILITÉ ET D'ADAPTATION À UN USAGE PARTICULIER. LE FABRICANT NE POURRA ÊTRE TENU RESPONSABLE PAR L'ACHETEUR OU UN TIERS POUR TOUTS DÉGÂTS ET DOMMAGES PARTICULIERS, INDIRECTS, PUNITIFS OU CONSÉCUTIFS. De plus, le fabricant désavoue toute garantie expresse ou implicite et décline toute responsabilité en cas de défaut de fabrication causés par un tiers.

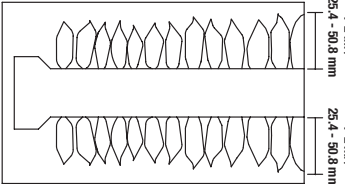
Cette garantie limitée octroie des droits spécifiques à l'acheteur reconnus par la loi et il est possible que ce dernier en possède d'autres selon sa localité. Certaines juridictions ne permettent pas l'exclusion ni la limitation de dommages consécutifs ou accessoires ni la limitation en temps d'une garantie et ces limitations peuvent ne pas être applicables à tous. Le fabricant ne permet en aucun cas à une personne ou à une société de s'attribuer les responsabilités et les obligations liées à la vente, l'installation, l'utilisation, la dépose ou le remplacement de cet article, et aucune de ces représentations n'engage la responsabilité du fabricant.

Blue Rhino Sourcing, Inc
Winston-Salem, North Carolina 27105, États-Unis
(800)-762-1142

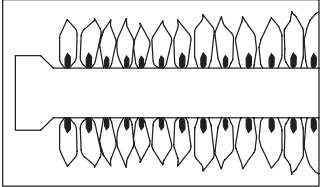
Illustration 9

État de la flamme du brûleur

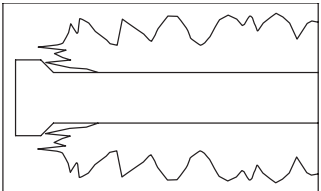
Reportez-vous à ce tableau pour savoir si vos brûleurs ont besoin d'être nettoyés



État normal: Flammes bleues claires avec crêtes jaunes entre 2,5 et 5 cm de hauteur.



Le brûleur a besoin d'être nettoyé : Bruyant avec des flammes bleues foncées.



Le brûleur doit être nettoyé: Flammes jaunes ondulantes.

Nettoyage du brûleur principal

1. Fermez le gaz au niveau des boutons de réglage et de la bouteille de propane.

2. Retirez les grilles de cuisson et les plaques chauffantes.

3. Retirez le brûleur en retirant les dispositifs de fixation retenant le brûleur à la partie inférieure du

barbecue.

4. Soulevez et éloignez le brûleur de l'orifice de la

soupape de gaz.

5. Déconnectez le fil de l'électrode d'allumage.

6. Nettoyez l'entrée (venturi) du brûleur avec un petit goupillon ou de l'air comprimé.

7. Nettoyez les restes de nourriture et la saleté de la

surface du brûleur.

8. Nettoyez les orifices bouchés avec un fil métallique

9. Vérifiez le brûleur à la recherche de détériorations (fissures ou trous). En cas de détériorations, remplacez-le par un brûleur neuf.

10. Réinstallez le brûleur, vérifiez que les orifices de la soupape de gaz sont correctement positionnés à l'intérieur de l'entrée du brûleur (venturi). Vérifiez également la position de l'électrode d'allumage.

11. Remettez en place la plaque chauffante et la grille

12. Effectuez le test d'étanchéité afin de vous assurer que le raccord ne présente pas de fuite.

1. Fermez le gaz au niveau des boutons de réglage et de la bouteille de propane.

2. Retirez la grille de cuisson.

3. Retirez le brûleur en retirant les vis retenant le brûleur à la tablette latérale.

4. Soulevez et éloignez le brûleur de l'orifice de la soupape de gaz.

5. Nettoyez l'entrée (venturi) du brûleur avec un petit goupillon ou de l'air comprimé.

6. Nettoyez les restes de nourriture et la saleté de la surface du brûleur.

7. Nettoyez les orifices bouchés avec un fil métallique (un trombone ouvert, par exemple).

8. Vérifiez le brûleur à la recherche de détériorations (fissures ou trous). En cas de

détériorations, remplacez-le par un brûleur neuf.

9. Réinstallez le brûleur, vérifiez que l'orifice de la soupape de gaz est correctement positionné à l'intérieur de l'entrée du brûleur (venturi). Vérifiez également la position de l'électrode d'allumage.

10. Remettez en place la grille de cuisson.

11. Effectuez le test d'étanchéité afin de vous assurer que le raccord ne présente pas de fuite.



Fonctionnement (suite)

- Pressez et tournez le bouton de réglage dans le sens inverse à celui des aiguilles d'une montre jusqu'à « HIGH » (maximum).
- Pressez le bouton de l'allumeur électronique et maintenez-le appuyé pendant 5 secondes pour allumer le brûleur.
- Si l'allumage ne se produit pas dans les 5 secondes suivantes, tournez le bouton de réglage du brûleur à la position « OFF » (arrêt), attendez 5 minutes et répétez la procédure d'allumage.
- Si l'allumeur ne parvient pas à allumer le brûleur, fixez une allumette allumée au bout de la tige d'allumage tournée afin d'allumer manuellement les brûleurs. Accédez aux brûleurs en introduisant l'allumette à travers la grille de cuisson et les plaques chauffantes. Placez l'allumette allumée sur le côté du brûleur (voir illustration 5).
- Important:** Veillez à toujours utiliser la tige d'allumage lorsque vous allumez les brûleurs avec une allumette.
- Après avoir allumé les brûleurs, veuillez observer la flamme du brûleur et vérifiez que tous les orifices du brûleur sont allumés et que la hauteur de la flamme correspond à celle de l'illustration (voir illustration 6).

⚠ ATTENTION: Si la flamme du brûleur s'éteint lors du fonctionnement du barbecue, fermez immédiatement l'arrivée de gaz (OFF) et ouvrez le couvercle afin que le gaz se dissipe et attendez 5 minutes avant de tenter à nouveau d'allumer le barbecue.

Pour éteindre

- Fermez le gaz au niveau de la bouteille de propane.
- Tournez tous les boutons de réglage dans le sens des aiguilles d'une montre afin de les régler sur « OFF » (arrêt) les uns après les autres.

Pour une cuisson directe

Laissez cuire les aliments directement sur les brûleurs chauds. Cette cuisson est idéale afin de piéger le jus à l'intérieur des aliments et pour les aliments tels que les steaks, les hamburgers, les hot-dogs, le poulet, les légumes et les fruits dont la cuisson prendra moins de 25 minutes.

- Ouvrez le couvercle et allumez les brûleurs désirés en suivant les instructions d'allumage du manuel d'utilisation.
- Fermez le couvercle et préchauffez le barbecue en le réglant sur « HIGH » (max).
- Portez des gants de protection et utilisez des pinces de cuisine à long manche pour disposer les aliments sur les grilles de cuisson, au-dessus des brûleurs allumés.
- Réglez les boutons sur la température désirée.
- Avec le couvercle ouvert ou fermé, laissez la nourriture cuire jusqu'à ce que la température interne désirée des aliments soit atteinte.
- Éteignez le barbecue en fermant tout d'abord le robinet de gaz de la bouteille de propane. Brûlez le reste du gaz contenu dans la tuyauterie en attendant 15 secondes puis réglez tous les boutons des brûleurs sur « OFF » (arrêt). Vous entendrez un son étouffé, ceci est normal, il s'agit du reste du propane venant de se consumer.

Pour une cuisson indirecte

Cette cuisson consiste à ne pas cuire les aliments directement sur les brûleurs chauds. Cette cuisson est idéale pour toute cuisson lente et pour les aliments dont la cuisson prend plus de 25 minutes comme les rôtis, les filets, les côtelettes ainsi que les poulets, dindes, et poissons entiers et les articles de boulangerie.

- Ouvrez le couvercle et allumez les brûleurs désirés en suivant les instructions d'allumage du manuel d'utilisation.
 - Fermez le couvercle et préchauffez le barbecue en le réglant sur « HIGH » (max).
 - Portez des gants de protection et utilisez des pinces de cuisine à long manche pour disposer les aliments sur les grilles de cuisson, au-dessus des brûleurs qui ne sont pas allumés.
 - Réglez les boutons sur la température désirée.
 - Avec le couvercle ouvert ou fermé, laissez la nourriture cuire jusqu'à ce que la température interne désirée des aliments soit atteinte.
 - Éteignez le barbecue en fermant tout d'abord le robinet de gaz de la bouteille de propane. Brûlez le reste du gaz contenu dans la tuyauterie en attendant 15 secondes puis réglez tous les boutons des brûleurs sur « OFF » (arrêt). Vous entendrez un son étouffé, ceci est normal, il s'agit du reste du propane venant de se consumer.
- Pour plus de conseils sur la cuisson indirecte, veuillez vous reporter au chapitre suivant « Quelques conseils pour de meilleures grillades et afin d'assurer la pérennité du barbecue »

Quelques conseils pour de meilleures grillades et afin d'assurer la pérennité du barbecue

- Pour des conseils sur la cuisson des aliments : http://www.fsis.usda.gov/Fact_Sheets/Barbecue_Food_Safety/
- Utilisez la grille de cuisson supérieure (grille de réchauffage) afin de maintenir au chaud les aliments que vous venez de cuire, griller du pain ou cuire des aliments délicats dans des pochettes de papier d'aluminium.
- Utilisez le brûleur latéral de cet appareil en tant que cuisinière ordinaire pour bouillir, sauter ou frire les aliments.

Nettoyage et entretien

⚠ ATTENTION: Tout nettoyage ou entretien doit être effectué lorsque le barbecue est froid et après avoir fermé et débranché l'alimentation en gaz.

⚠ ATTENTION: NE placez AUCUNE pièce du barbecue dans un four autonettoyant. La chaleur extrême endommagera le fini du barbecue.

Avis

1. Ce barbecue doit être vérifié et nettoyé en entier régulièrement.

2. N'utilisez pas de produits de nettoyage abrasifs car ils risquent d'endommager le barbecue.

3. N'utilisez jamais de produit à nettoyer les fours sur une pièce quelle qu'elle soit du barbecue.

4. NE placez aucune pièce du barbecue dans un four autonettoyant. La chaleur extrême endommagera le fini du barbecue.

Avant chaque utilisation:

1. Assurez-vous que la zone autour du barbecue demeure dégagée et dépourvue de matières combustibles, d'essence et d'autres liquides et vapeurs inflammables.

2. Ne pas bloquer ni empêcher le débit d'air de combustion du propane ni de ventilation.

Nettoyage des surfaces du barbecue

1. Essuyez les surfaces du barbecue avec un liquide à vaisselle doux ou du bicarbonate de soude.

2. Pour les tâches coriaces, utilisez un dégraissant au citron et une brosse de nettoyage en nylon.

3. Rincez à l'eau.

Un barbecue au gaz est idéal pour réchauffer des parts de pizza. Réglez les brûleurs sur une flamme basse et placez les parts de pizza directement sur la grille de cuisson ayant été auparavant préchauffée. Fermez le couvercle et laissez-les cuire jusqu'à ce que le fromage commence à faire des bulles.

- Consultez les sites internet tels que www.bluerhino.com, regardez les programmes télévisés consacrés à la cuisson au barbecue ou achetez des livres de cuisine sur le même thème pour des conseils utiles supplémentaires comme les suivants :
- Après chaque utilisation, laissez le barbecue refroidir. Ensuite, protégez les grilles de cuisson propres en les enduisant d'une fine couche d'huile à friture, videz le bac récupérateur de graisses, essuyez les surfaces extérieures du barbecue en utilisant un produit de nettoyage de cuisine adéquat et protégez ces surfaces en recouvrant le barbecue avec une housse de bonne qualité suffisamment grande pour ce type de barbecue.
- Nettoyez les grilles de cuisson et les autres grilles après chaque utilisation en utilisant une brosse de barbecue de bonne qualité conçue pour le type de matériau de votre grille. Portez des gants de protection et retirez doucement les résidus demeurés sur les grilles pendant qu'elles sont encore chaudes.
- Après chaque utilisation, laissez le barbecue refroidir. Ensuite, protégez les grilles de cuisson propres en les enduisant d'une fine couche d'huile à friture, videz le bac récupérateur de graisses, essuyez les surfaces extérieures du barbecue en utilisant un produit de nettoyage de cuisine adéquat et protégez ces surfaces en recouvrant le barbecue avec une housse de bonne qualité suffisamment grande pour ce type de barbecue.
- Rehaussez le goût des aliments en les plaçant dans des pochettes d'aluminium ou dans des fumoirs avec des copeaux de bois. Suivez les instructions du fabricant des copeaux de bois.
- Les tournebroches, les paniers à grill, les broches verticales à volailles et autres accessoires peuvent améliorer la cuisson, réduire le temps de cuisson et faciliter le nettoyage.
- Nettoyez les grilles de cuisson et les autres grilles après chaque utilisation en utilisant une brosse de barbecue de bonne qualité conçue pour le type de matériau de votre grille. Portez des gants de protection et retirez doucement les résidus demeurés sur les grilles pendant qu'elles sont encore chaudes.
- Après chaque utilisation, laissez le barbecue refroidir. Ensuite, protégez les grilles de cuisson propres en les enduisant d'une fine couche d'huile à friture, videz le bac récupérateur de graisses, essuyez les surfaces extérieures du barbecue en utilisant un produit de nettoyage de cuisine adéquat et protégez ces surfaces en recouvrant le barbecue avec une housse de bonne qualité suffisamment grande pour ce type de barbecue.
- Faites un essai en utilisant des bacs métalliques remplis d'eau pour réduire les feux de graisse et cuire les viandes très juteuses. Avant d'allumer le barbecue, retirez les grilles chauffantes. Remplissez-le à moitié d'eau, de jus de fruits ou de tout autre liquide aromatisé. Remettez en place les grilles de cuisson et placez les aliments au-dessus du bac rempli de liquide.
- Faites un essai en utilisant des bacs métalliques remplis d'eau pour réduire les feux de graisse et cuire les viandes très juteuses. Avant d'allumer le barbecue, retirez les grilles chauffantes. Remplissez-le à moitié d'eau, de jus de fruits ou de tout autre liquide aromatisé. Remettez en place les grilles de cuisson et placez les aliments au-dessus du bac rempli de liquide.
- Lors d'une cuisson indirecte pour les rôtis et les grosses tranches de viande, placez la viande sur une grille de cuisson à l'intérieur d'un bac métallique robuste. Placez le bac sur les brûleurs qui ne sont pas allumés.
- Lors d'une cuisson directe, réglez les brûleurs sur différents niveaux afin que les aliments puissent être cuits à différentes températures internes dans la même tranche de temps.
- Pour éviter que les aliments ne perdent leur jus, utilisez des pinces de cuisine ou des spatules au lieu de fourchettes et retournez les aliments une seule fois pendant la cuisson.
- Lors d'une cuisson directe, réglez les brûleurs sur différents niveaux afin que les aliments puissent être cuits à différentes températures internes dans la même tranche de temps.
- Placez les aliments délicats tels que le poisson et les légumes dans du papier d'aluminium et placez-les sur la grille de cuisson supérieure (grille de réchauffage).
- Pour réduire les feux de graisse, veillez à ce que le barbecue demeure propre, utilisez de la viande mince (découpez le gras) et évitez de cuire à de très hautes températures.
- Pour éviter que les aliments ne collent aux grilles, vaporisez ou appliquez une couche d'huile végétale sur les surfaces de cuisson avant d'allumer le barbecue.



Vous avez besoin d'une bouteille de gaz? Essayez notre service d'échange de bouteilles de gaz. C'est un service facile, rapide, sans danger et présent dans des dizaines de milliers de points de vente partout dans le pays. Achetez une bouteille neuve ou échangez votre bouteille vide contre une bouteille déjà remplie avec précision.

Avant de débrancher la bouteille, assurez-vous que le robinet de la bouteille de propane se trouve sur « OFF » (arrêt).
Débranchez la conduite de gaz de la bouteille en tournant le bouton dans le sens inverse à celui des aiguilles d'une montre jusqu'à ce qu'il soit desserré.

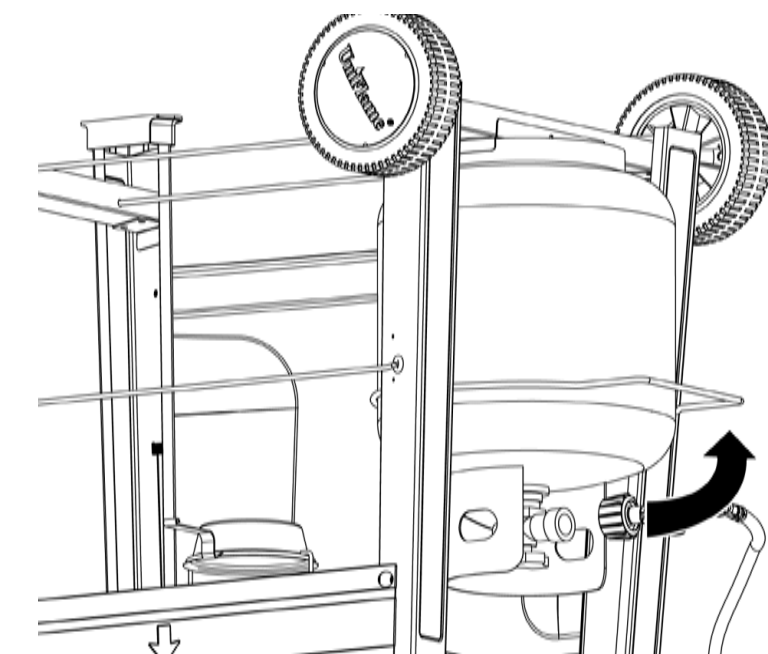


Débrancher la bouteille de propane

Avant de procéder au branchement, assurez-vous de l'absence de débris dans la tête de la bouteille, autour de la tête de la soupape du régulateur ainsi que dans la tête du brûleur et dans les orifices du brûleur.
Branchez le tuyau de gaz sur la bouteille en tournant dans le sens des aiguilles d'une montre jusqu'au blocage.

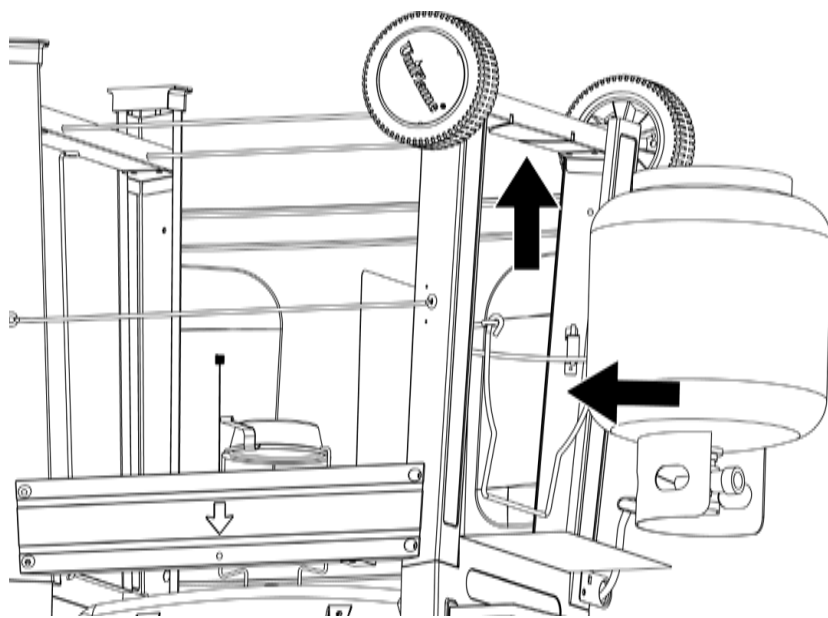


Brancher la bouteille de propane



Fixez la bouteille en glissant l'arrière de retenue par-dessus l'épaule de la bouteille de propane.

Fixer la bouteille de propane



Placez une bouteille de propane pleine de 20 livres (9 kg) debout dans la cavité du barbecue afin que le circuit soit établi afin de permettre l'extraction des vapeurs de gaz.

Insérer la bouteille de propane

Remarque: Une bouteille de propane standard vide pour barbecue pèse environ 18 livres (8,1 kg). Une bouteille de propane standard pour barbecue remplie avec précision ne devrait pas peser plus de 38 livres (17,2 kg).

Il est nécessaire de brancher une bouteille de propane standard de 20 livres (9 kg) pour barbecue avec soupape de commande à filetage externe.



Installer la bouteille de propane

1. Ouvrez le couvercle du barbecue. Toute tentative d'allumage du brûleur avec le couvercle fermé risque de provoquer une explosion!
2. Assurez-vous qu'il n'existe aucune obstruction et domicile et boucher le brûleur et le tube venturi au niveau de l'orifice. Si la tubulure du brûleur est bouchée, ceci risque de provoquer un feu en-dessous de l'appareil.
3. Tous les boutons de réglage doivent être réglés sur « OFF » (arrêt). Reportez-vous à l'illustration 3.
4. Ouvrez le gaz au niveau de la bouteille de propane.

Pour allumer

1. Assurez-vous d'avoir retiré toutes les étiquettes ainsi que tout le matériau d'emballage et le film protecteur du barbecue.
2. Avant de cuire quoi que ce soit sur le barbecue pour la première fois, faites fonctionner le barbecue pendant environ 15 minutes avec le couvercle fermé et le bouton de réglage du gaz sur « High » (maximum). La chaleur « nettoiera » les pièces internes et dissipera les odeurs.

Utiliser le barbecue pour la première fois

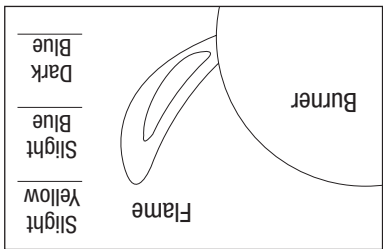


Figure 5

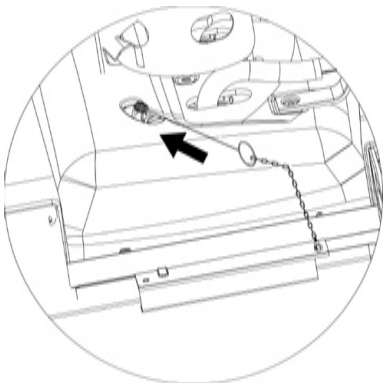
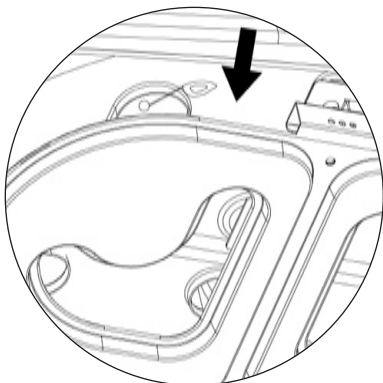


Illustration 4

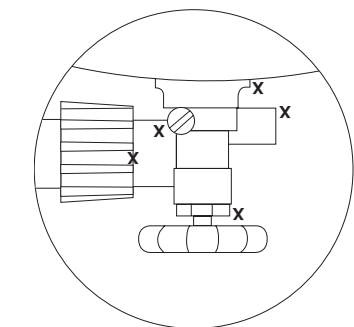


Illustration 3

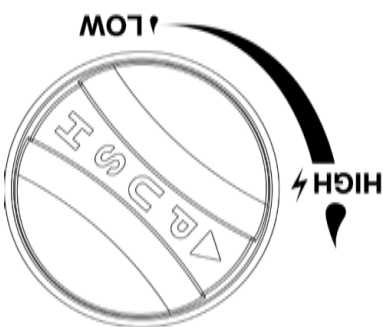


Illustration 2

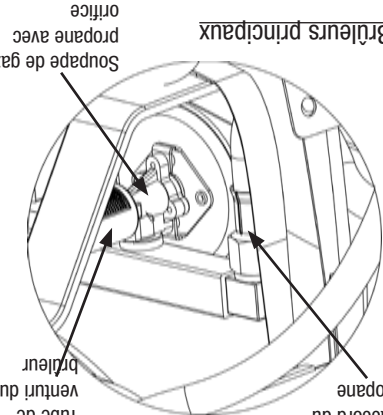


Figure 1

Fonctionnement des brûleurs principaux

- a. Si des bulles apparaissent, fermez la bouteille de propane (OFF), desserrez le raccord puis rebranchez en vous assurant qu'il est étanche en effectuant un autre test d'étanchéité.
- b. Si des bulles persistent après plusieurs tentatives, débranchez la bouteille de gaz et appelez le 1.800.762.1142.
- c. S'il n'y a toujours pas de bulles après une minute, fermez la bouteille de gaz (OFF), essuyez la solution et continuez.

Raccordement du tuyau de gaz à la bouteille

1. Préparez une solution d'environ 80 ml destinée à détecter les fuites en mélangeant un volume de liquide à vaisselle et 3 volumes d'eau.
2. Vérifiez que les boutons de réglage du barbecue sont tous sur « Off » (arrêt). Reportez-vous à l'illustration 3.
3. Ouvrez l'arrivée de gaz en réglant le robinet de la bouteille de propane sur « ON » (marche).
4. Versez quelques gouttes de la solution sur tous les points de raccordement indiqués par un « X ».

Raccordement des brûleurs

1. Repérez-vous à l'illustration afin d'effectuer correctement l'installation (illustrations 1).
3. Si le tube du brûleur ne repose pas au ras de l'orifice, veuillez appeler notre service à la clientèle au 1.800.762.1142.

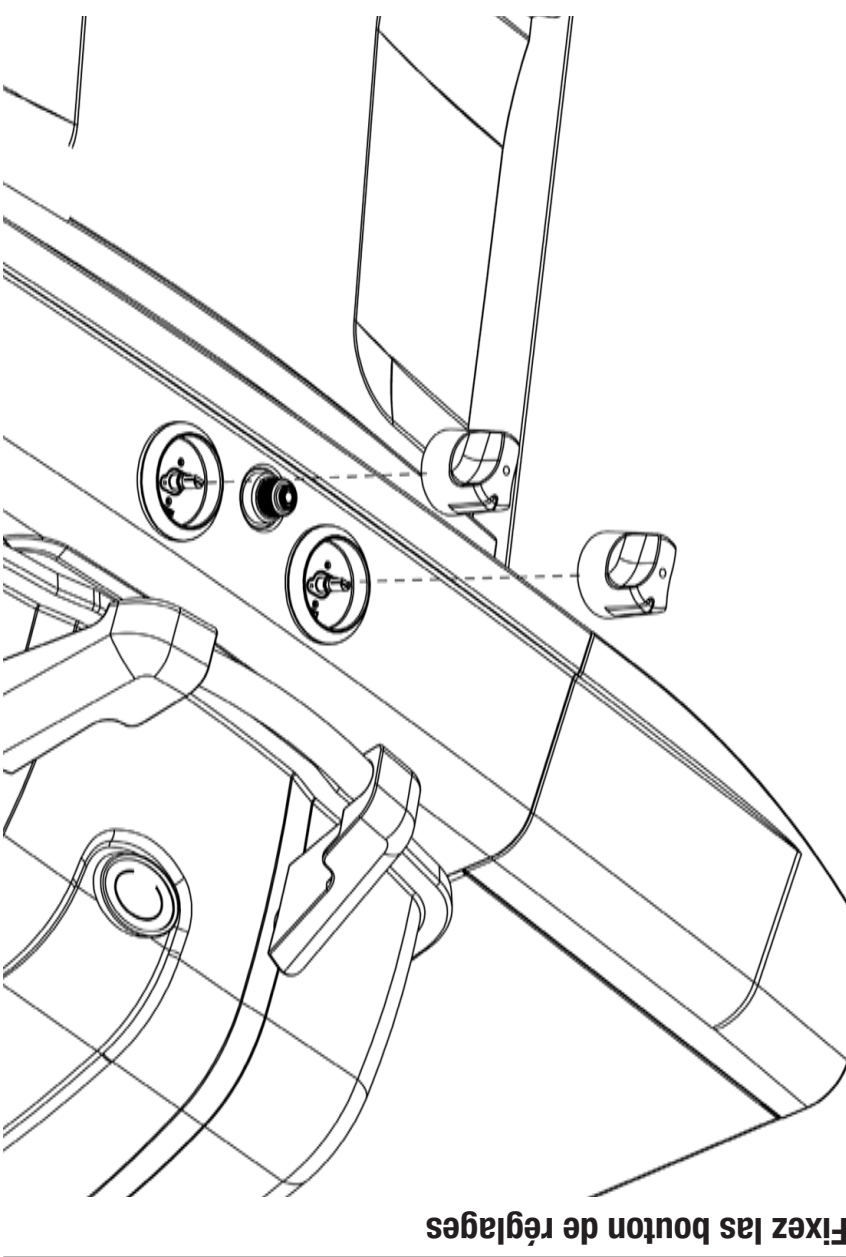
AVERTISSEMENT: Si vous ne vérifiez pas ce raccord et ne respectez pas ces instructions, vous risquez de provoquer un incendie ou une explosion pouvant entraîner des dégâts matériels, des blessures graves voire la mort.

Si l'appareil a été assemblé pour vous, vérifiez visuellement le branchement du tube du brûleur sur l'orifice. Assurez-vous que le tube du brûleur est correctement placé sur l'orifice.

Rechercher une fuite potentielle

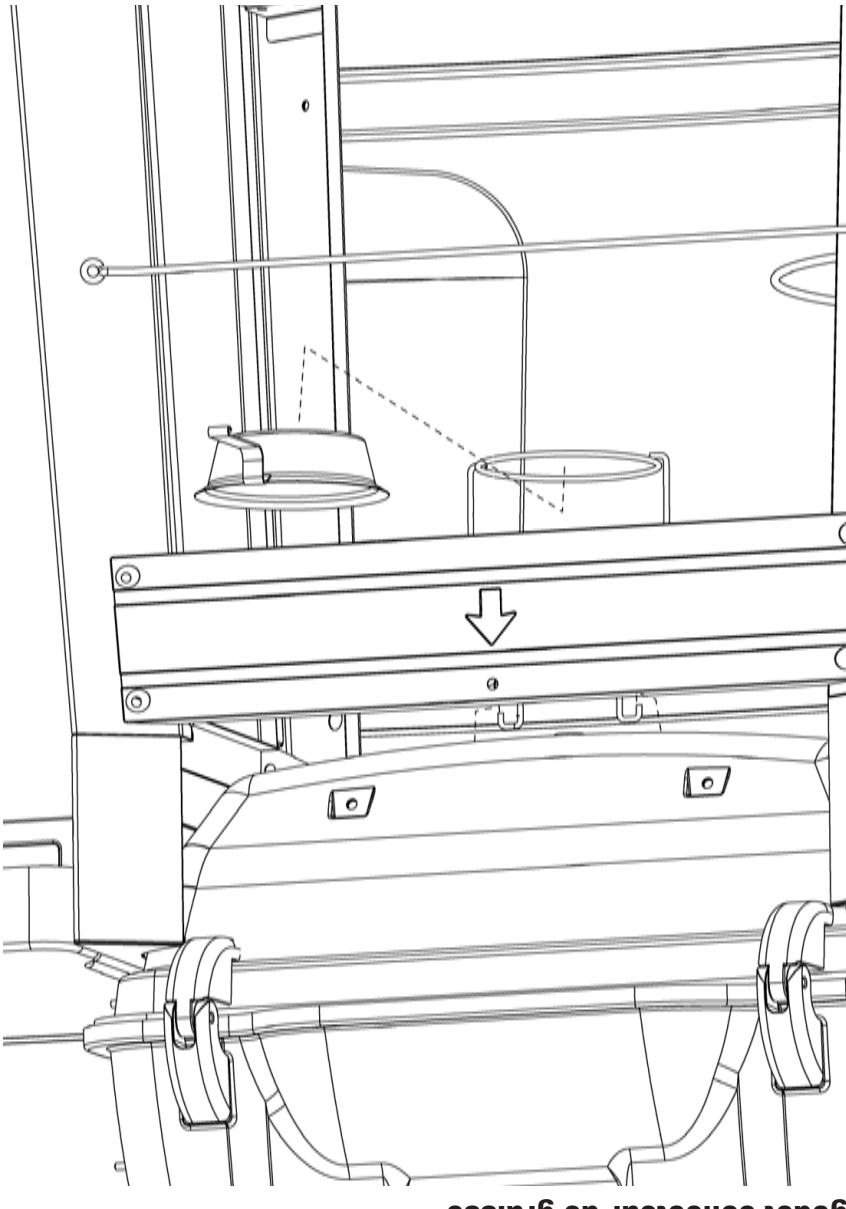
Raccordement des brûleurs

1. Assurez-vous que la soupape du régulateur et le tuyau ont été correctement raccordés au brûleur et à la bouteille de gaz.



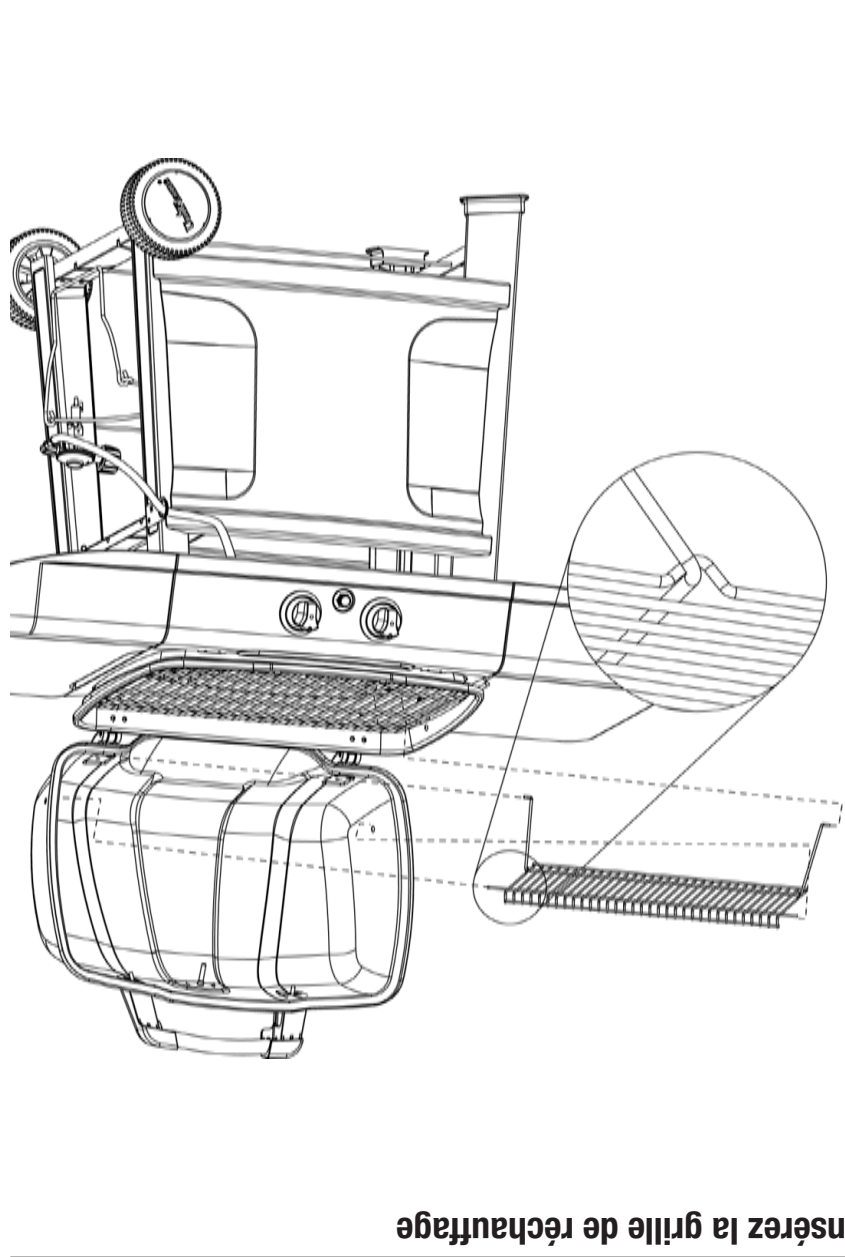
Fixez les bouton de réglages

18



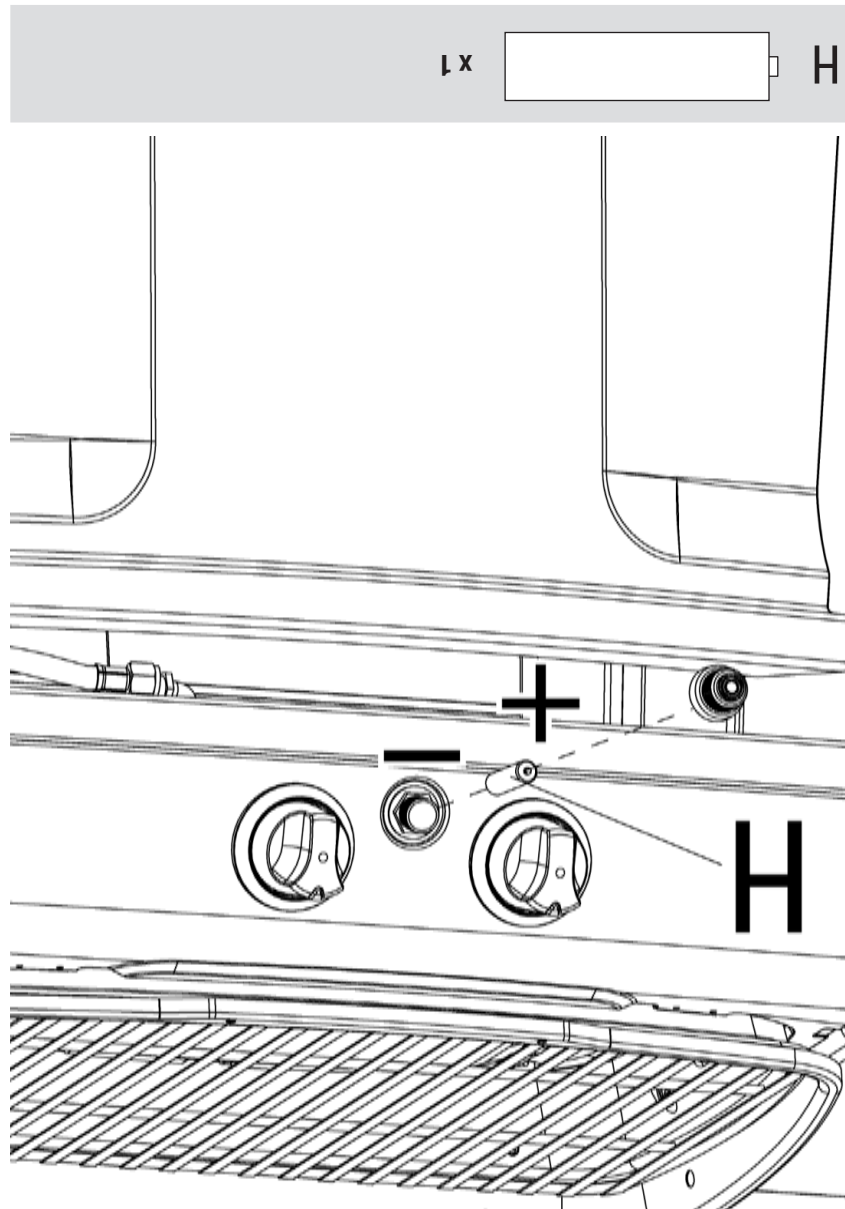
Fixez le support du godet collecteur de graisse et le godet collecteur de graisse

20



Insérez la grille de réchauffage

17



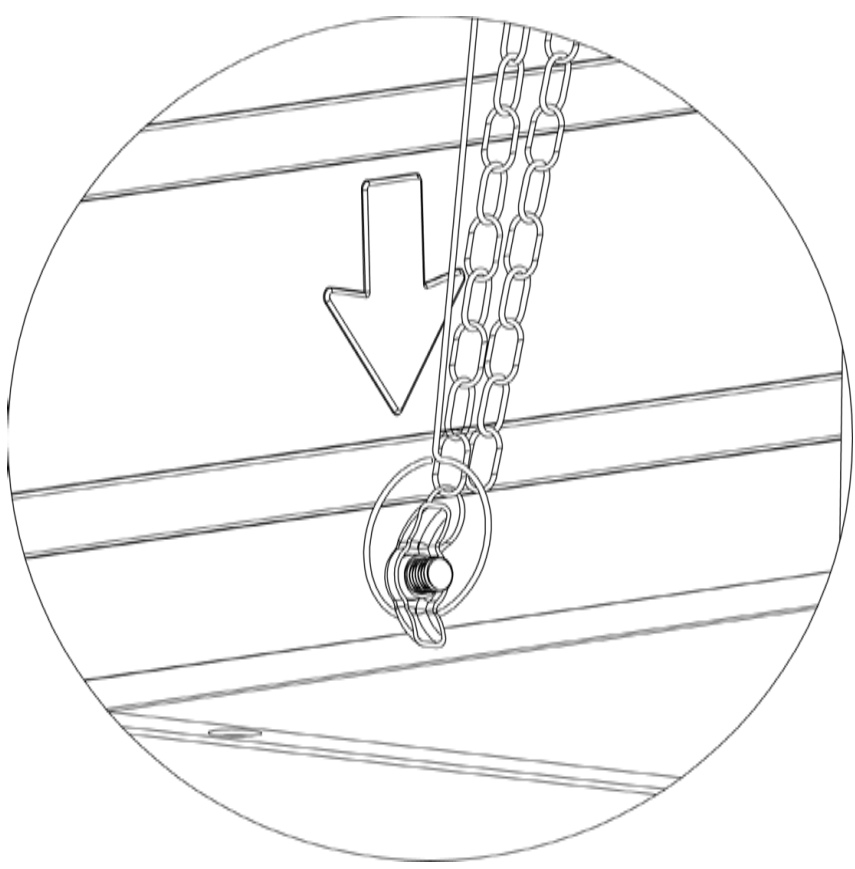
Insérez la pile AA

19

1 x [Battery symbol] H

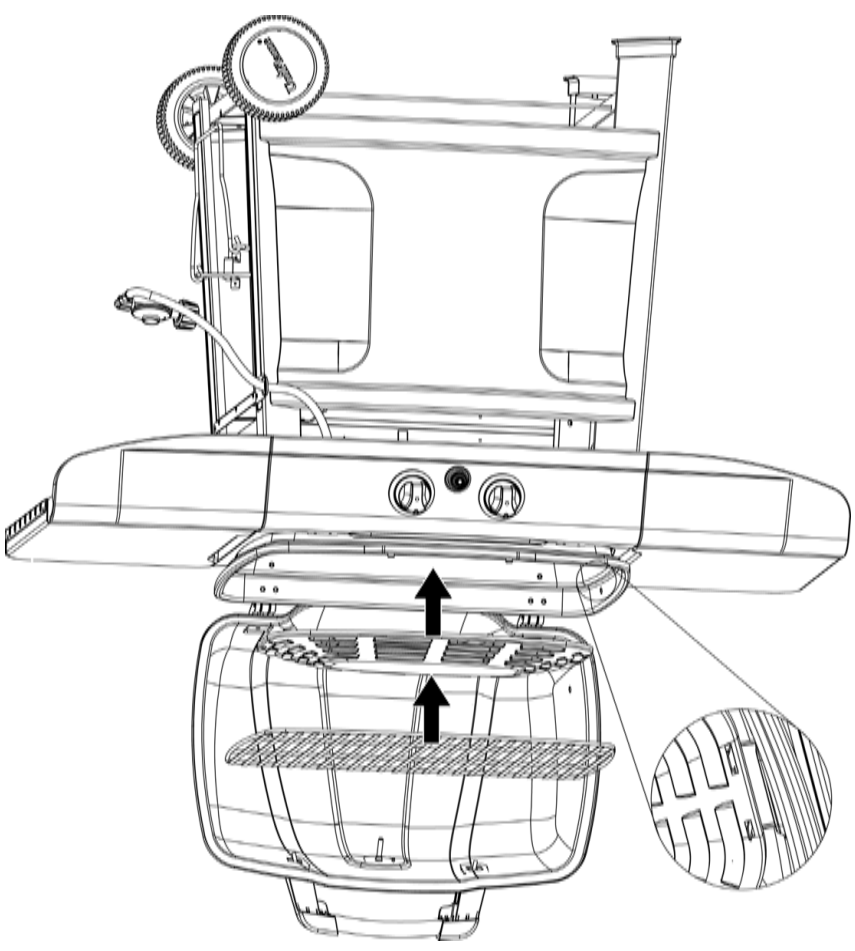
15

Emplacement de la tige d'allumage



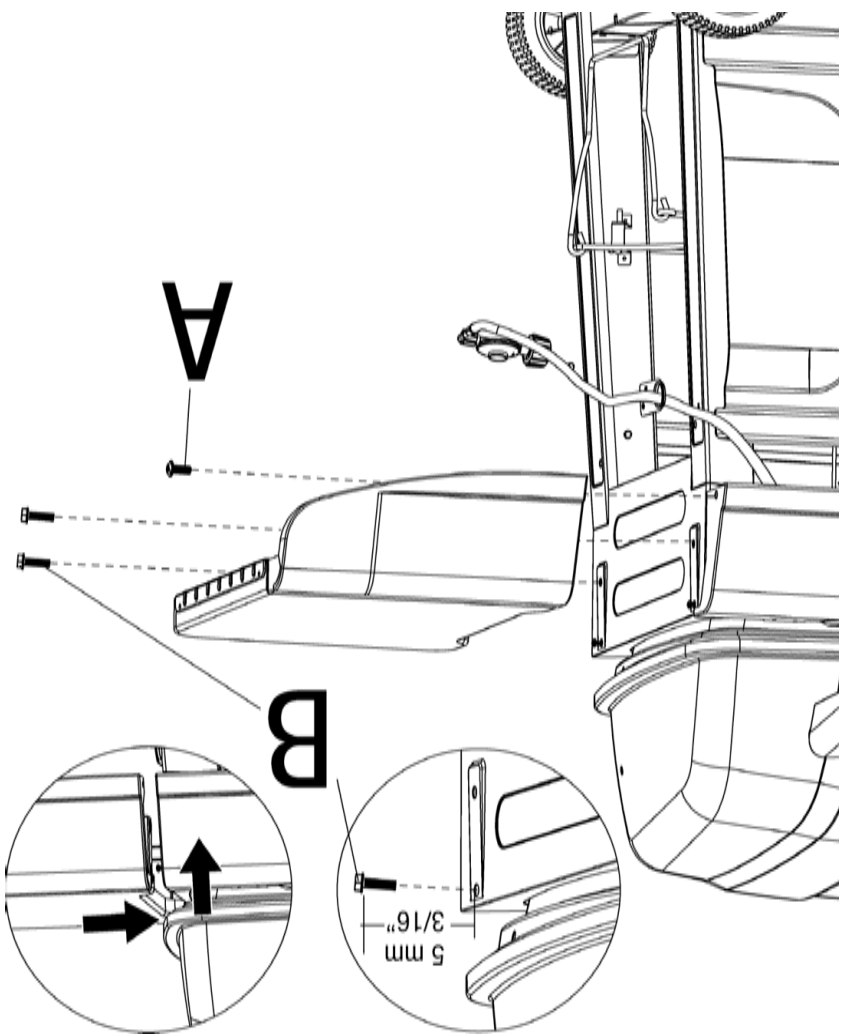
16

Insérez la plaque chauffante et la grille de cuisson



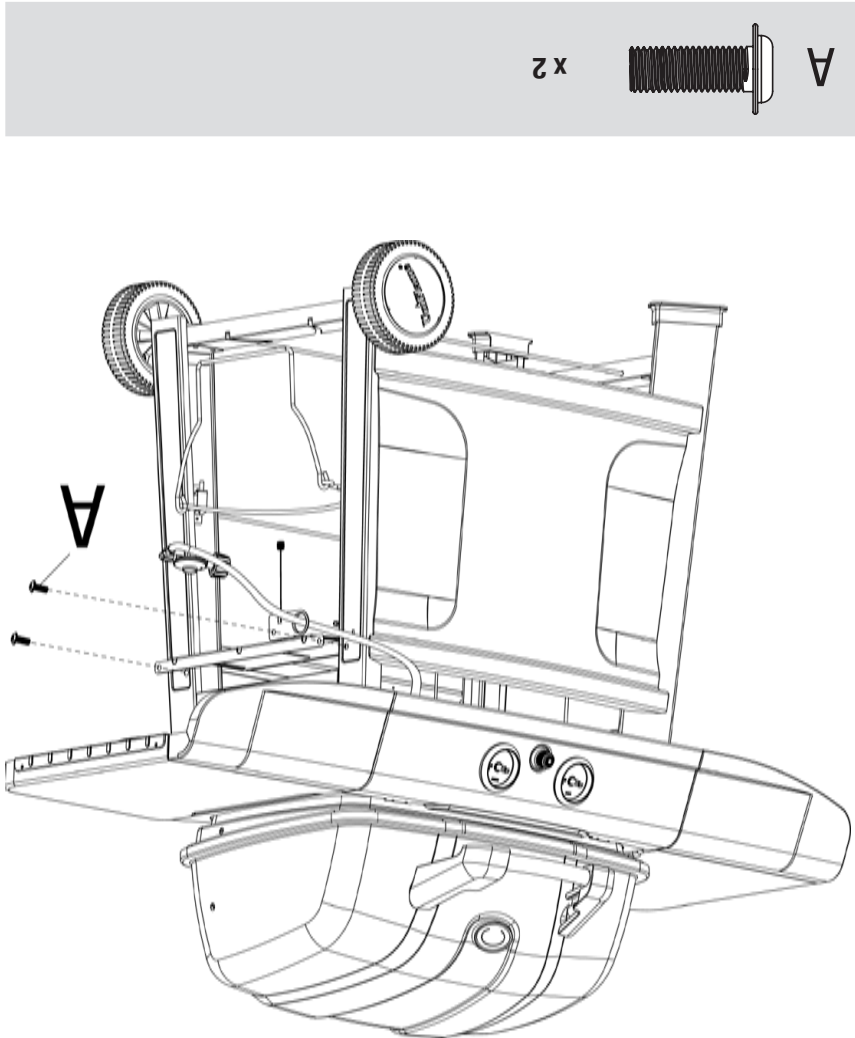
13

Fixez la tablette droite



14

Fixez la écran thermique de la bouteille de propane et la bride QCC



A x 1

B x 4

9

Fixez la cuve du barbecue

A x 4
E x 4
F x 4

10

Assemblez la tablette gauche

B x 2

11

Assemblez la tablette droite

B x 2

12

Fixez la tablette gauche

A x 1
B x 4

5 mm
3/16"

5

Fixez le panneau avant et les tiges inférieures du chariot

A x 4

6

Fixez le panneau arrière et la tige arrière du chariot

A x 6

7

Fixez la tige gauche du chariot et l'étrier de retenue de la bouteille de propane

A x 1

D x 2

8

Fixez la l'indicateur de température



NE PAS RETOURNER AU MAGASIN AVEC CET ARTICLE.

Pour toute assistance technique, appelez le numéro sans frais 1.800.762.1142. Faites en sorte que votre manuel d'utilisation et le numéro de série soient à portée de main afin de pouvoir vous y référer.

Remarque: Le numéro de série se trouve au dos du chariot.

Pour faciliter l'assemblage:

- Pour éviter de perdre des petites pièces ou la quincaillerie d'installation, assemblez cet article sur une surface dure et plane qui ne comporte pas de trous ni de fissures.
- Prévoyez une surface de travail suffisamment grande afin d'étaler toutes les pièces et la quincaillerie d'installation.
- Lorsque nécessaire, serrez toute les fixations et la visserie en premier, puis une fois l'étape terminée, serrez-les complètement.
- Suivez toutes les étapes dans l'ordre afin d'assembler correctement cet article.

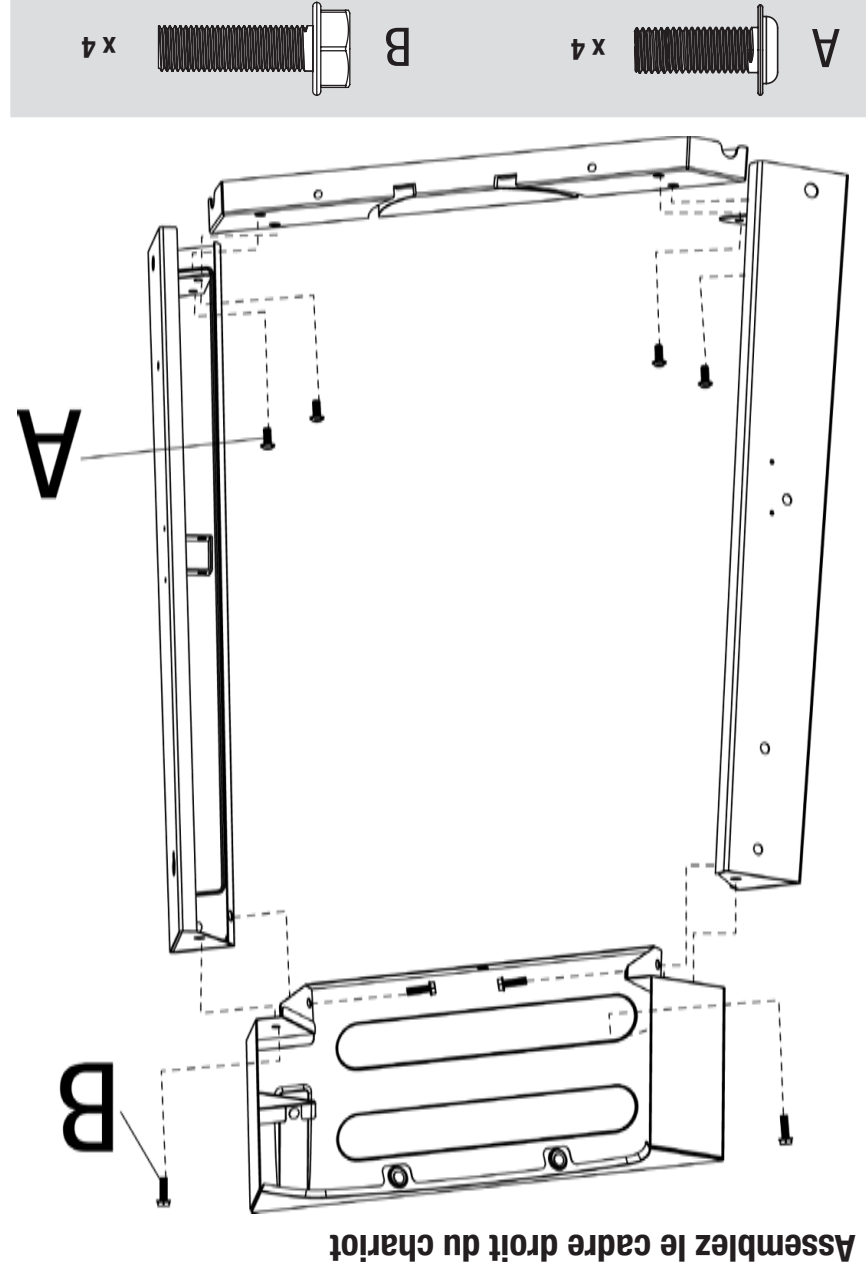
Pour effectuer l'assemblage, vous aurez besoin des choses suivantes:

- (1) solution de détection de fuites (voir instructions sur la préparation de la solution au chapitre « Fonctionnement »).
- (1) bouteille de propane liquide pour barbecue (de 15 à 19 litres) remplie avec précision avec raccord de robinet à filetage externe Acme de type 1.

Remarque: Veuillez suivre toutes les étapes dans l'ordre afin d'assembler correctement le barbecue.

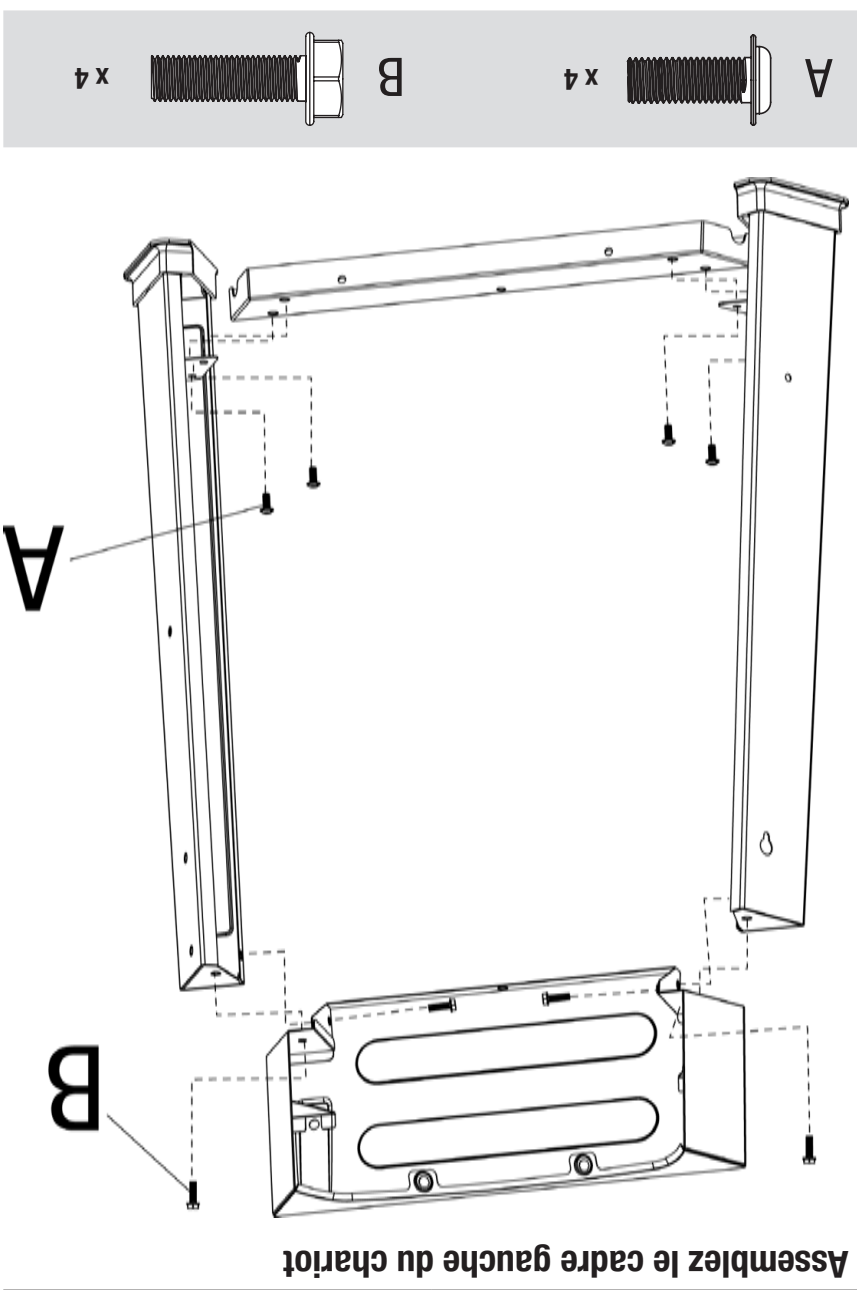
Temps d'assemblage: environ une (1) heure.

1



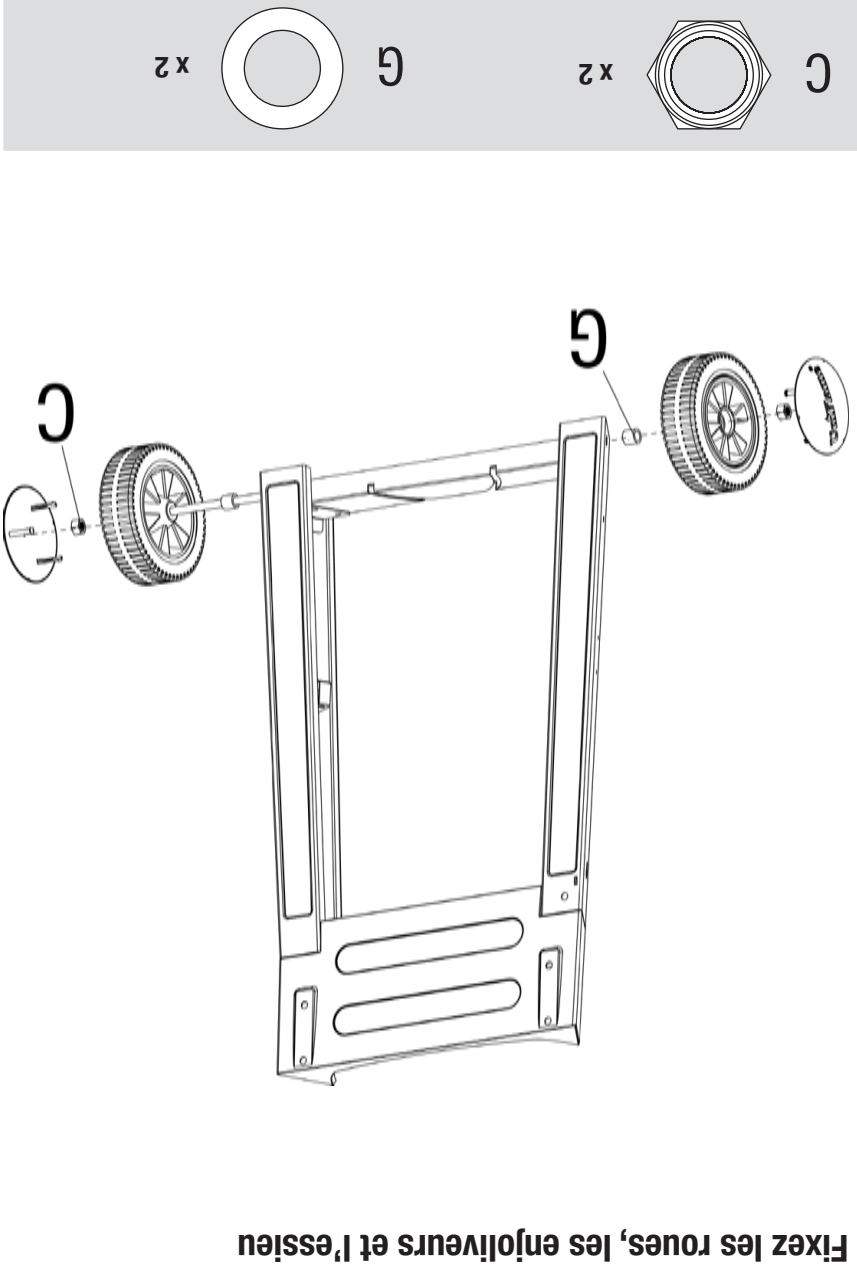
Assemblez le cadre droit du chariot

3



Assemblez le cadre gauche du chariot

2



Fixez les roues, les enjoliveurs et l'essieu

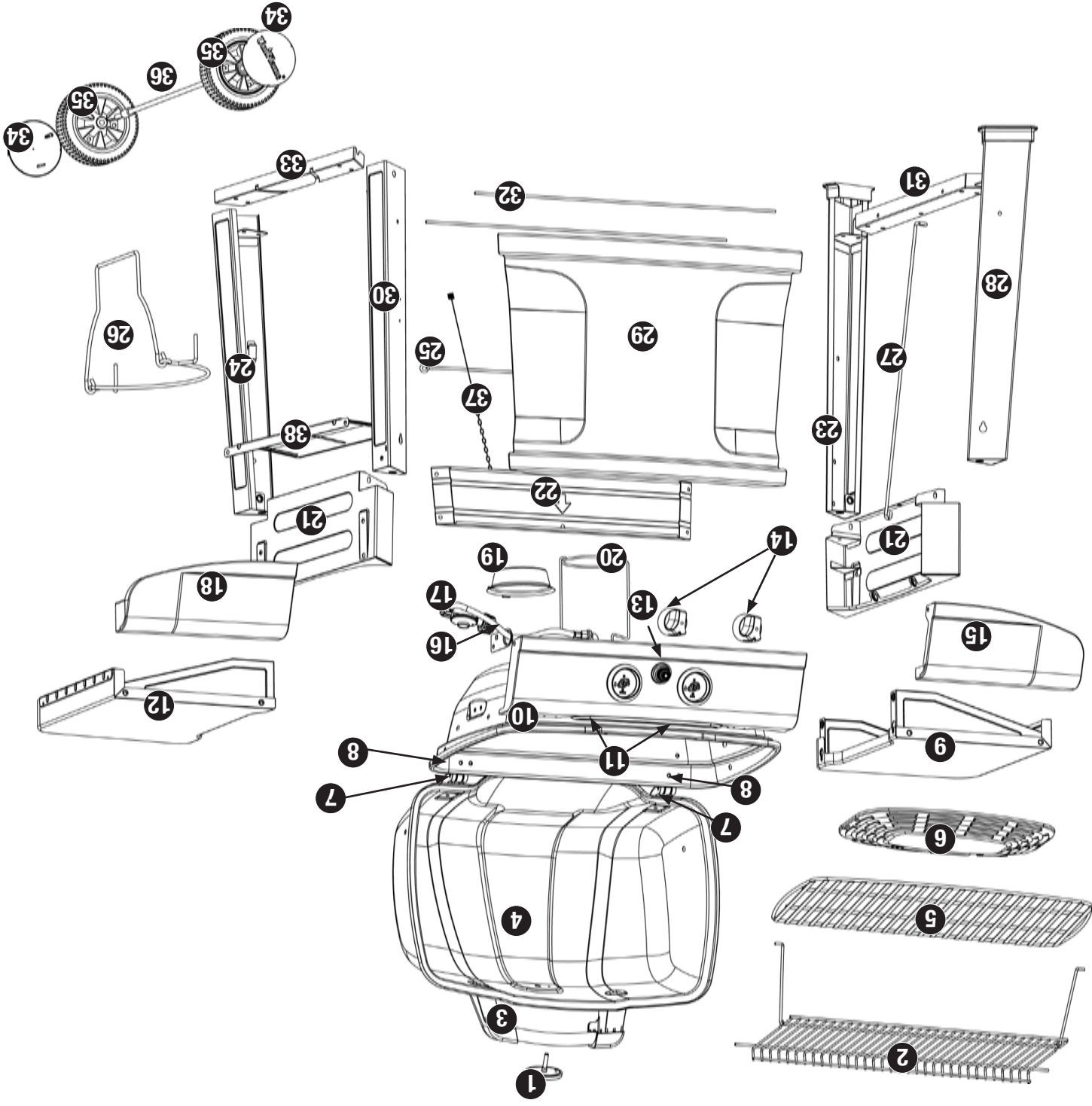
4



Liste des pièces

1	Poignée	55-07-328
2	Grille de réchauffage	55-07-361
3	Indicateur de température	55-07-358
4	Couvercle	55-08-103
5	Grille de cuisson	55-07-310
6	Plaque chauffante	55-07-319
7	Charnière supérieure (2)	55-07-360
8	Charnière inférieure (2)	55-07-306
9	Tablette latérale	55-07-325
10	Cuve du barbecue	55-07-317
11	Burner (2)	55-08-101
12	Tablette gauche	55-07-496
13	Allumage à bouton poussoir	55-07-322
14	Bouton de réglage (2)	55-07-308
15	Panneau avant de la tablette gauche	55-07-326
16	Bride QCC	55-13-827
17	Régulateur et tuyau	55-07-344
18	Panneau avant de la tablette droite	55-07-346
19	Godet collecteur de graisse	55-07-315
20	Support du godet collecteur de graisse	55-07-316
21	Entretoise supérieure du cadre (2)	55-07-359
22	Panneau arrière	55-07-302
23	Pied arrière gauche	55-07342
24	Pied arrière droit	55-07-343
25	Tige arrière du chariot	55-07-341
26	Étrier de retenue de la bouteille de propane	55-07-333
27	Tige gauche du chariot	55-07-324
28	Pied avant gauche	55-07-312
29	Panneau avant	55-07-314
30	Pied avant droit	55-07-313
31	Entretoise inférieure gauche du cadre	55-07-304
32	Tige inférieure du chariot (2)	55-07-303
33	Entretoise inférieure droite du cadre	55-07-305
34	Enjoliveur (2)	55-07-320
35	Roue (2)	55-07-363
36	Essieu	55-07-301
37	Tige d'allumage	55-07-331
38	Écran thermique de la bouteille de propane	55-07-334

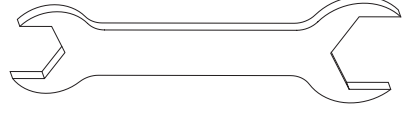
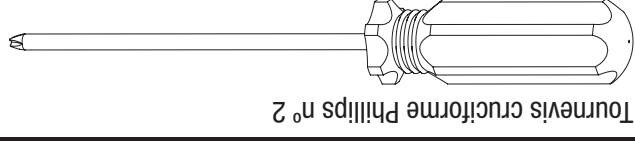
Vue éclatée



Quincaillerie

A	Vis	Galvanisée, à tête bombée Phillips, M6x16	27 pcs
B	Boulon	Niquelé, à tête hexagonale, M6x16	20 pcs
C	Écrou	Galvanisé, M10	2 pcs
D	Écrou à oreilles	Galvanisé, M6	2 pcs
E	Rondelle	Galvanisée, ø6,4	4 pcs
F	Rondelle de blocage	Galvanisée, ø6,4	4 pcs
G	Entretoise en caoutchouc	ø10,5 x ø17,5 x 6	2 pcs
H	Pile AA		1 pc

Outils requis pour l'assemblage (fournis)



2 pcs



AVERTISSEMENT

1. Ne pas utiliser ni entreposer de l'essence ou des liquides présentant des vapeurs inflammables dans le voisinage de cet appareil ou de tout autre appareil.

2. Ne pas entreposer une bouteille de propane de recharge dans le voisinage de cet appareil ou de tout autre appareil.

DANGER

En cas d'odeur de gaz:

1. Fermer le robinet de gaz alimentant l'appareil.
2. Éteindre toute flamme.
3. Ouvrir le couvercle
4. Si l'odeur persiste, s'éloigner de l'appareil et contacter immédiatement le fournisseur de bouteilles de gaz ou les pompiers.

AVERTISSEMENT: explosion et d'entraîner des dégâts matériels, des blessures graves voire la mort.

AVERTISSEMENT: Le non-respect des avis de danger, des mises en garde et des consignes de sécurité de ce manuel risque de provoquer un incendie ou une

AVERTISSEMENT: explosion et d'entraîner des dégâts matériels, des blessures graves voire la mort.

▲ Ce barbecue doit être utilisé uniquement à l'extérieur et ne doit pas être utilisé dans un immeuble, un garage ou tout autre espace clos.

▲ NE PAS utiliser ou allumer cet appareil à moins de 2,43 m de tout mur, construction ou immeuble.

▲ Ce barbecue N'est PAS destiné à un usage commercial.

▲ Ce barbecue doit être utilisé uniquement avec du propane liquide (PL). Toute utilisation de gaz naturel avec ce barbecue ou tentative de conversion au gaz naturel de ce barbecue est dangereuse et annulera la garantie.

▲ Caractéristiques du propane (PL) :

a. Le propane est un gaz inflammable et dangereux si ce dernier n'est pas manipulé correctement. Il est indispensable de connaître les dangers encourus avant d'utiliser tout appareil fonctionnant au propane.

b. Le propane est un gaz inflammable qui risque d'exploser sous pression. Le propane est un gaz plus lourd que l'air présent en gisements dans les régions basses.

c. Le propane à l'état naturel est inodore. Pour votre sécurité, un odorisant ayant l'odeur de choux avariés a été ajouté.

d. Tout contact du propane avec la peau risque d'entraîner des brûlures. Il est nécessaire de brancher une bouteille de propane pour faire fonctionner le barbecue. Seules les bouteilles marquées « propane » peuvent être utilisées.

▲ La bouteille de propane doit être fabriquée, marquée et mise en service conformément à la Réglementation sur les bouteilles de gaz de pétrole liquéfié établie par le Ministère des transports des États-Unis (DOT) ou répondre à la Norme nationale du Canada, CAN/CSA-B339 sur les bouteilles, sphères et tubes destinés au transport de produits dangereux et la

commission

▲ La bouteille de propane doit être placée et homologuée afin de permettre l'extraction des vapeurs de gaz.

▲ La bouteille de propane doit posséder un col afin de protéger le robinet et la soupape de commande de la bouteille.

▲ Ne jamais utiliser une bouteille de propane si le corps, la soupape, le col ou le socle sont endommagés.

▲ Toute bouteille bosselée ou présentant des traces de rouille risque d'être dangereuse et devrait être vérifiée par votre fournisseur avant de l'utiliser.

▲ Ne pas laisser tomber la bouteille ni la manipuler brusquement ou brutalement!

▲ Les bouteilles de gaz doivent être stockées à l'extérieur, hors de portée des enfants et ne doivent pas être entreposées dans un bâtiment, un garage ou dans tout autre lieu fermé. Les bouteilles de gaz ne doivent jamais être entreposées dans un endroit où la température risque de dépasser 51,6°C (125°F).

▲ Ne jamais garder une bouteille de propane pleine dans une voiture ou dans le coffre d'une voiture sous une forte chaleur. La chaleur peut provoquer une augmentation de la pression du gaz, pouvant provoquer l'ouverture de la soupape de sécurité et lui permettre de s'échapper.

▲ Placer un capuchon cache-poussoir sur la sortie du robinet de la bouteille lorsque la bouteille n'est pas utilisée. Installer uniquement le type de capuchon cache-poussoir sur la sortie du robinet de la bouteille de gaz qui est fourni avec le robinet de la bouteille. L'emploi d'autres types de capuchons ou de bouchons risque d'entraîner une fuite de propane.

▲ Ne jamais entreposer une bouteille de propane de recharge sous ou à proximité de cet appareil.

▲ Ne jamais remplir la bouteille de propane à plus de 80% de sa capacité.

▲ Les consignes ci-dessus doivent être strictement respectées et le non respect de ces consignes risque de provoquer un incendie et d'entraîner des dégâts matériels ou des blessures graves, voire la mort.

▲ Vérifier que l'appareil ne présente aucune fuite même si ce dernier a été assemblé pour vous par quelqu'un d'autre.

▲ Ne pas utiliser le barbecue en cas de fuite de gaz. Toute fuite de gaz risque de provoquer un incendie ou une explosion.

▲ Il est obligatoire de suivre toutes les procédures de détection de fuite avant d'utiliser cet appareil. Afin d'éviter tout risque d'incendie et d'explosion lorsque l'on recherche une fuite :

a. Vérifier que le circuit ne présente pas de fuite en effectuant un "test d'étanchéité" avant d'allumer le barbecue à chaque fois que la bouteille de gaz est branchée afin de l'utiliser.

b. Interdiction de fumer. Ne pas utiliser ni laisser de sources d'ignition à proximité du barbecue lorsque l'on recherche une fuite.

c. Effectuer le test d'étanchéité en plein air, dans un emplacement bien aéré. Ne pas utiliser d'allumettes, de briquets ou de flamme nue afin de rechercher une fuite.

▲ Ne pas utiliser le barbecue pleine dans une voiture ou dans le coffre d'une voiture sous une forte chaleur. La chaleur peut provoquer une augmentation de la pression du gaz, pouvant provoquer l'ouverture de la soupape de sécurité et lui permettre de s'échapper.

▲ Placer un capuchon cache-poussoir sur la sortie du robinet de la bouteille lorsque la bouteille n'est pas utilisée. Installer uniquement le type de capuchon cache-poussoir sur la sortie du robinet de la bouteille de gaz qui est fourni avec le robinet de la bouteille. L'emploi d'autres types de capuchons ou de bouchons risque d'entraîner une fuite de propane.

▲ Ne jamais entreposer une bouteille de propane de recharge sous ou à proximité de cet appareil.

▲ Ne jamais remplir la bouteille de propane à plus de 80% de sa capacité.

▲ Les consignes ci-dessus doivent être strictement respectées et le non respect de ces consignes risque de provoquer un incendie et d'entraîner des dégâts matériels ou des blessures graves, voire la mort.

▲ Vérifier que l'appareil ne présente aucune fuite même si ce dernier a été assemblé pour vous par quelqu'un d'autre.

▲ Ne pas utiliser le barbecue en cas de fuite de gaz. Toute fuite de gaz risque de provoquer un incendie ou une explosion.

▲ Il est obligatoire de suivre toutes les procédures de détection de fuite avant d'utiliser cet appareil. Afin d'éviter tout risque d'incendie et d'explosion lorsque l'on recherche une fuite :

a. Vérifier que le circuit ne présente pas de fuite en effectuant un "test d'étanchéité" avant d'allumer le barbecue à chaque fois que la bouteille de gaz est branchée afin de l'utiliser.

b. Interdiction de fumer. Ne pas utiliser ni laisser de sources d'ignition à proximité du barbecue lorsque l'on recherche une fuite.

c. Effectuer le test d'étanchéité en plein air, dans un emplacement bien aéré. Ne pas utiliser d'allumettes, de briquets ou de flamme nue afin de rechercher une fuite.

▲ Ne pas utiliser le barbecue pleine dans une voiture ou dans le coffre d'une voiture sous une forte chaleur. La chaleur peut provoquer une augmentation de la pression du gaz, pouvant provoquer l'ouverture de la soupape de sécurité et lui permettre de s'échapper.

▲ Placer un capuchon cache-poussoir sur la sortie du robinet de la bouteille lorsque la bouteille n'est pas utilisée. Installer uniquement le type de capuchon cache-poussoir sur la sortie du robinet de la bouteille de gaz qui est fourni avec le robinet de la bouteille. L'emploi d'autres types de capuchons ou de bouchons risque d'entraîner une fuite de propane.

▲ Ne jamais entreposer une bouteille de propane de recharge sous ou à proximité de cet appareil.

▲ Ne jamais remplir la bouteille de propane à plus de 80% de sa capacité.

▲ Les consignes ci-dessus doivent être strictement respectées et le non respect de ces consignes risque de provoquer un incendie et d'entraîner des dégâts matériels ou des blessures graves, voire la mort.

▲ Vérifier que l'appareil ne présente aucune fuite même si ce dernier a été assemblé pour vous par quelqu'un d'autre.

▲ Ne pas utiliser le barbecue en cas de fuite de gaz. Toute fuite de gaz risque de provoquer un incendie ou une explosion.

▲ Il est obligatoire de suivre toutes les procédures de détection de fuite avant d'utiliser cet appareil. Afin d'éviter tout risque d'incendie et d'explosion lorsque l'on recherche une fuite :

a. Vérifier que le circuit ne présente pas de fuite en effectuant un "test d'étanchéité" avant d'allumer le barbecue à chaque fois que la bouteille de gaz est branchée afin de l'utiliser.

b. Interdiction de fumer. Ne pas utiliser ni laisser de sources d'ignition à proximité du barbecue lorsque l'on recherche une fuite.

c. Effectuer le test d'étanchéité en plein air, dans un emplacement bien aéré. Ne pas utiliser d'allumettes, de briquets ou de flamme nue afin de rechercher une fuite.

▲ Ne pas utiliser le barbecue pleine dans une voiture ou dans le coffre d'une voiture sous une forte chaleur. La chaleur peut provoquer une augmentation de la pression du gaz, pouvant provoquer l'ouverture de la soupape de sécurité et lui permettre de s'échapper.

▲ Placer un capuchon cache-poussoir sur la sortie du robinet de la bouteille lorsque la bouteille n'est pas utilisée. Installer uniquement le type de capuchon cache-poussoir sur la sortie du robinet de la bouteille de gaz qui est fourni avec le robinet de la bouteille. L'emploi d'autres types de capuchons ou de bouchons risque d'entraîner une fuite de propane.

▲ Ne jamais entreposer une bouteille de propane de recharge sous ou à proximité de cet appareil.

▲ Ne jamais remplir la bouteille de propane à plus de 80% de sa capacité.

▲ Les consignes ci-dessus doivent être strictement respectées et le non respect de ces consignes risque de provoquer un incendie et d'entraîner des dégâts matériels ou des blessures graves, voire la mort.

▲ Vérifier que l'appareil ne présente aucune fuite même si ce dernier a été assemblé pour vous par quelqu'un d'autre.

▲ Ne pas utiliser le barbecue en cas de fuite de gaz. Toute fuite de gaz risque de provoquer un incendie ou une explosion.

▲ Il est obligatoire de suivre toutes les procédures de détection de fuite avant d'utiliser cet appareil. Afin d'éviter tout risque d'incendie et d'explosion lorsque l'on recherche une fuite :

a. Vérifier que le circuit ne présente pas de fuite en effectuant un "test d'étanchéité" avant d'allumer le barbecue à chaque fois que la bouteille de gaz est branchée afin de l'utiliser.

b. Interdiction de fumer. Ne pas utiliser ni laisser de sources d'ignition à proximité du barbecue lorsque l'on recherche une fuite.

c. Effectuer le test d'étanchéité en plein air, dans un emplacement bien aéré. Ne pas utiliser d'allumettes, de briquets ou de flamme nue afin de rechercher une fuite.

▲ Ne pas utiliser le barbecue pleine dans une voiture ou dans le coffre d'une voiture sous une forte chaleur. La chaleur peut provoquer une augmentation de la pression du gaz, pouvant provoquer l'ouverture de la soupape de sécurité et lui permettre de s'échapper.

▲ Placer un capuchon cache-poussoir sur la sortie du robinet de la bouteille lorsque la bouteille n'est pas utilisée. Installer uniquement le type de capuchon cache-poussoir sur la sortie du robinet de la bouteille de gaz qui est fourni avec le robinet de la bouteille. L'emploi d'autres types de capuchons ou de bouchons risque d'entraîner une fuite de propane.

▲ Ne jamais entreposer une bouteille de propane de recharge sous ou à proximité de cet appareil.

▲ Ne jamais remplir la bouteille de propane à plus de 80% de sa capacité.

▲ Les consignes ci-dessus doivent être strictement respectées et le non respect de ces consignes risque de provoquer un incendie et d'entraîner des dégâts matériels ou des blessures graves, voire la mort.

▲ Vérifier que l'appareil ne présente aucune fuite même si ce dernier a été assemblé pour vous par quelqu'un d'autre.

▲ Ne pas utiliser le barbecue en cas de fuite de gaz. Toute fuite de gaz risque de provoquer un incendie ou une explosion.

▲ Il est obligatoire de suivre toutes les procédures de détection de fuite avant d'utiliser cet appareil. Afin d'éviter tout risque d'incendie et d'explosion lorsque l'on recherche une fuite :

a. Vérifier que le circuit ne présente pas de fuite en effectuant un "test d'étanchéité" avant d'allumer le barbecue à chaque fois que la bouteille de gaz est branchée afin de l'utiliser.

b. Interdiction de fumer. Ne pas utiliser ni laisser de sources d'ignition à proximité du barbecue lorsque l'on recherche une fuite.

c. Effectuer le test d'étanchéité en plein air, dans un emplacement bien aéré. Ne pas utiliser d'allumettes, de briquets ou de flamme nue afin de rechercher une fuite.

▲ Ne pas utiliser le barbecue pleine dans une voiture ou dans le coffre d'une voiture sous une forte chaleur. La chaleur peut provoquer une augmentation de la pression du gaz, pouvant provoquer l'ouverture de la soupape de sécurité et lui permettre de s'échapper.

▲ Placer un capuchon cache-poussoir sur la sortie du robinet de la bouteille lorsque la bouteille n'est pas utilisée. Installer uniquement le type de capuchon cache-poussoir sur la sortie du robinet de la bouteille de gaz qui est fourni avec le robinet de la bouteille. L'emploi d'autres types de capuchons ou de bouchons risque d'entraîner une fuite de propane.

▲ Ne jamais entreposer une bouteille de propane de recharge sous ou à proximité de cet appareil.

▲ Ne jamais remplir la bouteille de propane à plus de 80% de sa capacité.

▲ Les consignes ci-dessus doivent être strictement respectées et le non respect de ces consignes risque de provoquer un incendie et d'entraîner des dégâts matériels ou des blessures graves, voire la mort.

▲ Vérifier que l'appareil ne présente aucune fuite même si ce dernier a été assemblé pour vous par quelqu'un d'autre.

▲ Ne pas utiliser le barbecue en cas de fuite de gaz. Toute fuite de gaz risque de provoquer un incendie ou une explosion.

▲ Il est obligatoire de suivre toutes les procédures de détection de fuite avant d'utiliser cet appareil. Afin d'éviter tout risque d'incendie et d'explosion lorsque l'on recherche une fuite :

a. Vérifier que le circuit ne présente pas de fuite en effectuant un "test d'étanchéité" avant d'allumer le barbecue à chaque fois que la bouteille de gaz est branchée afin de l'utiliser.

b. Interdiction de fumer. Ne pas utiliser ni laisser de sources d'ignition à proximité du barbecue lorsque l'on recherche une fuite.

c. Effectuer le test d'étanchéité en plein air, dans un emplacement bien aéré. Ne pas utiliser d'allumettes, de briquets ou de flamme nue afin de rechercher une fuite.

▲ Ne pas utiliser le barbecue pleine dans une voiture ou dans le coffre d'une voiture sous une forte chaleur. La chaleur peut provoquer une augmentation de la pression du gaz, pouvant provoquer l'ouverture de la soupape de sécurité et lui permettre de s'échapper.

▲ Placer un capuchon cache-poussoir sur la sortie du robinet de la bouteille lorsque la bouteille n'est pas utilisée. Installer uniquement le type de capuchon cache-poussoir sur la sortie du robinet de la bouteille de gaz qui est fourni avec le robinet de la bouteille. L'emploi d'autres types de capuchons ou de bouchons risque d'entraîner une fuite de propane.

▲ Ne jamais entreposer une bouteille de propane de recharge sous ou à proximité de cet appareil.

▲ Ne jamais remplir la bouteille de propane à plus de 80% de sa capacité.

▲ Les consignes ci-dessus doivent être strictement respectées et le non respect de ces consignes risque de provoquer un incendie et d'entraîner des dégâts matériels ou des blessures graves, voire la mort.

▲ Vérifier que l'appareil ne présente aucune fuite même si ce dernier a été assemblé pour vous par quelqu'un d'autre.

▲ Ne pas utiliser le barbecue en cas de fuite de gaz. Toute fuite de gaz risque de provoquer un incendie ou une explosion.

▲ Il est obligatoire de suivre toutes les procédures de détection de fuite avant d'utiliser cet appareil. Afin d'éviter tout risque d'incendie et d'explosion lorsque l'on recherche une fuite :

a. Vérifier que le circuit ne présente pas de fuite en effectuant un "test d'étanchéité" avant d'allumer le barbecue à chaque fois que la bouteille de gaz est branchée afin de l'utiliser.

b. Interdiction de fumer. Ne pas utiliser ni laisser de sources d'ignition à proximité du barbecue lorsque l'on recherche une fuite.

c. Effectuer le test d'étanchéité en plein air, dans un emplacement bien aéré. Ne pas utiliser d'allumettes, de briquets ou de flamme nue afin de rechercher une fuite.

▲ Ne pas utiliser le barbecue pleine dans une voiture ou dans le coffre d'une voiture sous une forte chaleur. La chaleur peut provoquer une augmentation de la pression du gaz, pouvant provoquer l'ouverture de la soupape de sécurité et lui permettre de s'échapper.

▲ Placer un capuchon cache-poussoir sur la sortie du robinet de la bouteille lorsque la bouteille n'est pas utilisée. Installer uniquement le type de capuchon cache-poussoir sur la sortie du robinet de la bouteille de gaz qui est fourni avec le robinet de la bouteille. L'emploi d'autres types de capuchons ou de bouchons risque d'entraîner une fuite de propane.

▲ Ne jamais entreposer une bouteille de propane de recharge sous ou à proximité de cet appareil.

▲ Ne jamais remplir la bouteille de propane à plus de 80% de sa capacité.

▲ Les consignes ci-dessus doivent être strictement respectées et le non respect de ces consignes risque de provoquer un incendie et d'entraîner des dégâts matériels ou des blessures graves, voire la mort.

▲ Vérifier que l'appareil ne présente aucune fuite même si ce dernier a été assemblé pour vous par quelqu'un d'autre.

▲ Ne pas utiliser le barbecue en cas de fuite de gaz. Toute fuite de gaz risque de provoquer un incendie ou une explosion.

▲ Il est obligatoire de suivre toutes les procédures de détection de fuite avant d'utiliser cet appareil. Afin d'éviter tout risque d'incendie et d'explosion lorsque l'on recherche une fuite :

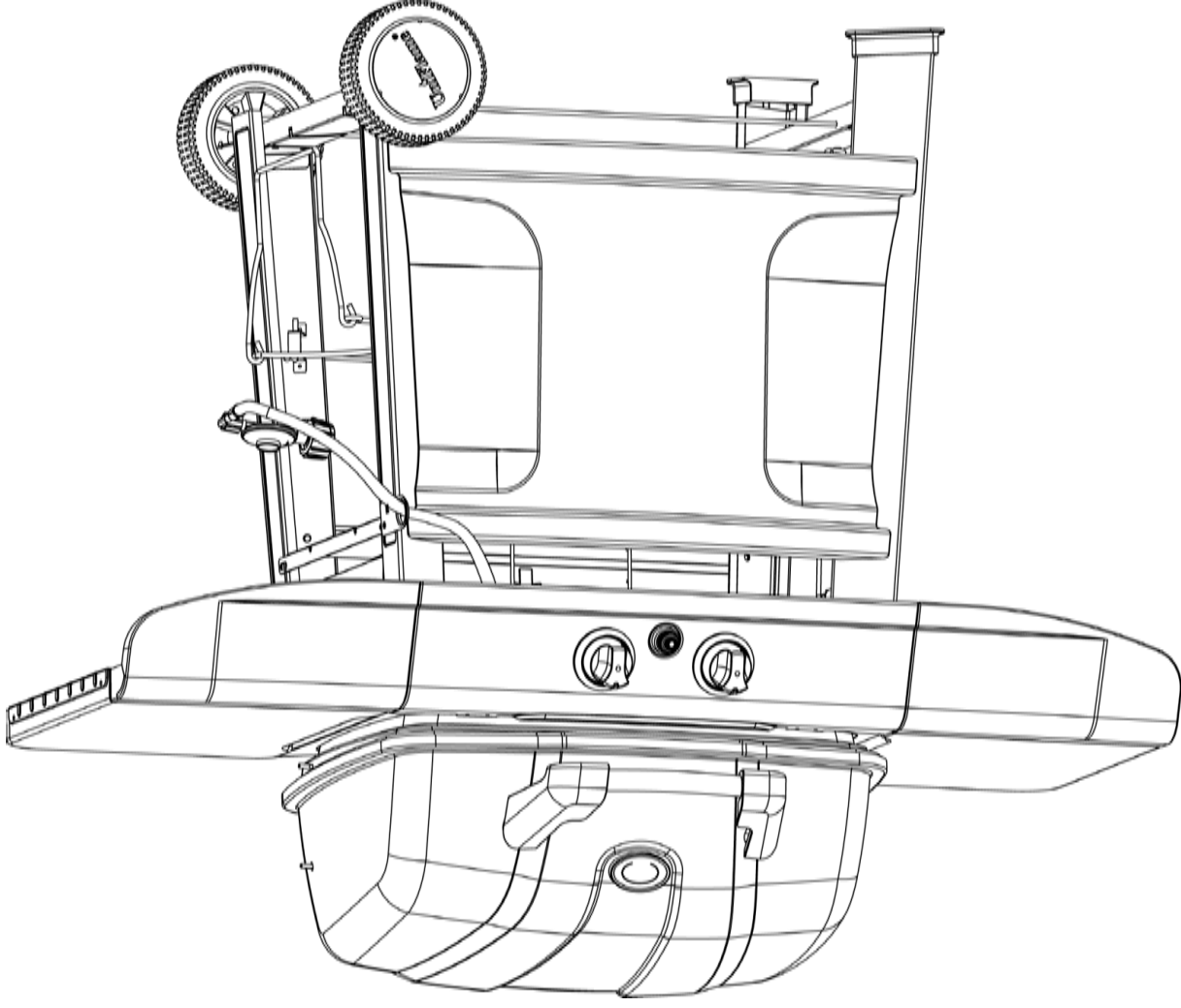
a. Vérifier que le circuit ne présente pas de fuite en effectuant un "test d'étanchéité" avant d'allumer le barbecue à chaque fois que la bouteille de gaz est branchée afin de l'utiliser.

b. Interdiction de fumer. Ne pas utiliser ni laisser de sources d'ignition à proximité du barbecue lorsque l'on recherche une fuite.

c. Effectuer le test d'étanchéité en plein air, dans un emplacement bien aéré. Ne pas utiliser d'allumettes, de briquets ou de flamme nue afin de rechercher une fuite.

Barbecue au propane pour usage extérieur

Modèle n° GBC820WC-C



AVERTISSEMENT



Pour usage à l'extérieur seulement
 (hors de tout abri clos)

AVERTISSEMENT

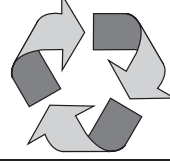


1. Toute installation défectueuse ou modification incorrecte ainsi que tout mauvais réglage ou entretien incorrect risque d'entraîner des blessures ou des dégâts matériels.

2. Lire complètement les instructions d'installation, d'utilisation et d'entretien avant de procéder à la maintenance de l'appareil ou à son entretien.

3. Le non-respect de ces consignes risque de provoquer un incendie ou une explosion et entraîner des dégâts matériels, des blessures graves voir la mort.

Conservez ces instructions afin de pouvoir les consulter ultérieurement. Si vous êtes en train d'assembler cet appareil pour une autre personne, veuillez lui fournir le manuel afin qu'elle puisse le lire et le consulter plus tard.



Fabriquée à partir de 70% de bagasse de canne à sucre (résidu de pulpe de canne à sucre sans danger pour l'environnement)



Fabriquée en Chine pour:
 Blue Rhino Global Sourcing, Inc
 Winston-Salem, NC 27104 États-Unis
 1.800.762.1142, www.bluerhino.com

© 2007 Blue Rhino Global Sourcing, Inc. Tous droits réservés.
 UniFlame® est une marque déposée de Blue Rhino Global Sourcing, Inc. Tous droits réservés.

Table des matières

Page 2 Consignes de sécurité importantes.....

3 Vue éclatée des pièces et quincaillerie.....

4 Directives d'assemblage.....

9 Installer la bouteille de propane.....

9 Insérer la bouteille de propane.....

9 Fixer la bouteille de propane.....

9 Brancher la bouteille de propane.....

9 Fonctionnement.....

9 Rechercher une fuite potentielle.....

9 Fonctionnement des brûleurs principaux.....

10 Nettoyage et entretien.....

11 Enregistrement de l'appareil.....

11 Garantie limitée.....

12 Guide de dépannage.....

12 L'utilisation et l'installation de cet appareil doivent être conformes aux codes locaux. En l'absence de codes locaux, suivez le Code national du gaz et des combustibles, les normes ANSI Z223.1/NFPA 54, CAN/CGA-B149.1 et le Code d'installation du gaz naturel et du propane.